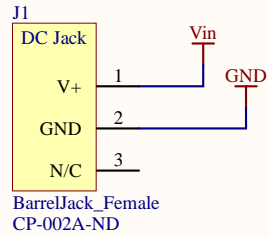
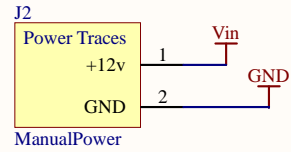


## Power Input

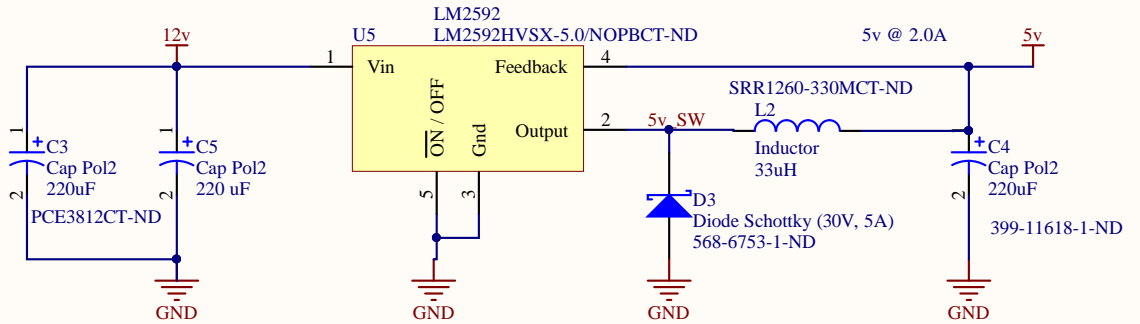
+12v input



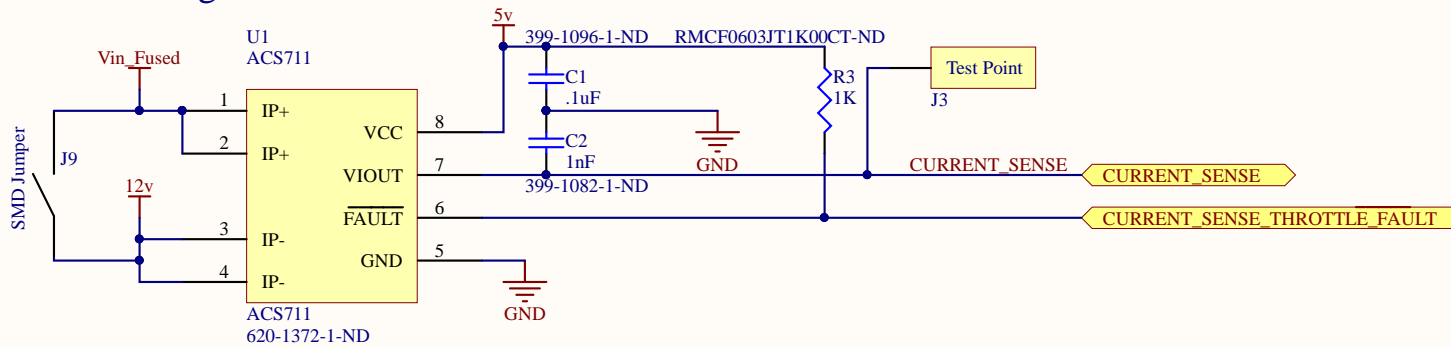
Backup for Barrel Jack



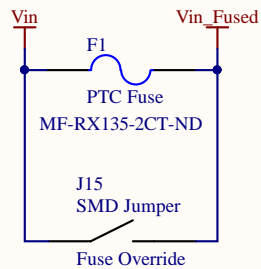
## Voltage Regulation



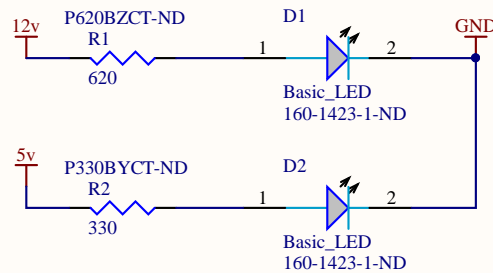
## Current Sensing



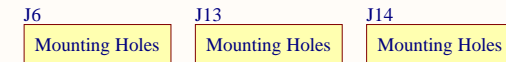
## Fusing



## Power LEDs



## Miscellaneous Hardware



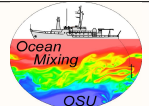
Title PowerSupplies.SchDoc

Size: A4 Number: 1 Engineer: Nick McComb

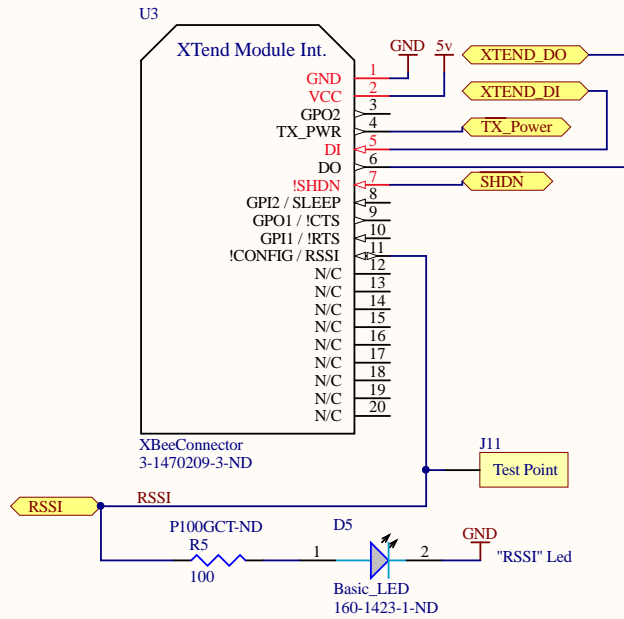
Date: 11/30/2015 Time: 1:37:10 PM Sheet 1 of \*

File: C:\Users\nrpc\000\Google Drive\PCB Designs\XTend\Daughterboard\PowerSupplies.SchDoc

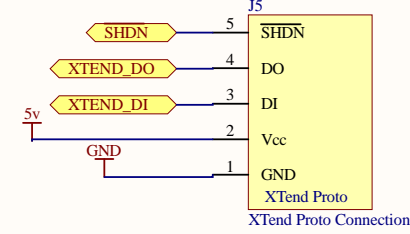
Ocean Mixing Group  
Oregon State University  
Corvallis, OR



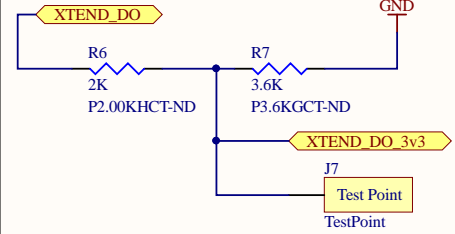
## XTend Connection



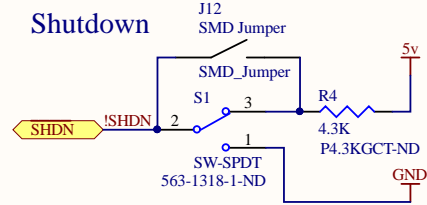
## "Prototyping" Connection



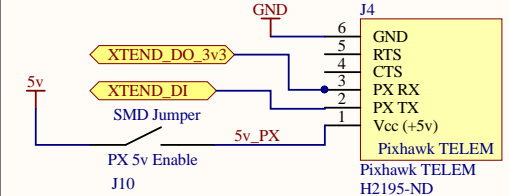
## Logic Level Conversion



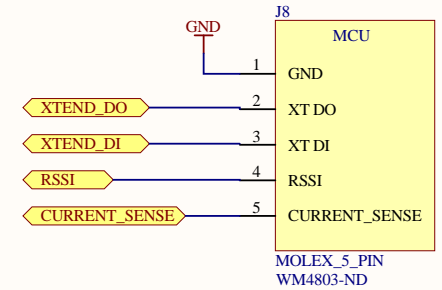
## Shutdown



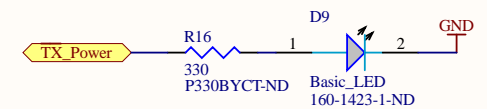
## Pixhawk CONN



## MCU CONN



## TX LED



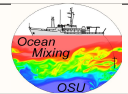
Title RSSIandXTend.SchDoc

Size: A4 Number: \* Engineer: Nick McComb

Date: 11/30/2015 Time: 1:37:10 PM Sheet 2 of \*

File: C:\Users\nrpc.000\Google Drive\PCB Designs\XTendDaughterboard\RSSIandXTend.SchDoc

Ocean Mixing Group  
Oregon State University  
Corvallis, OR



1

2

3

4

A

A

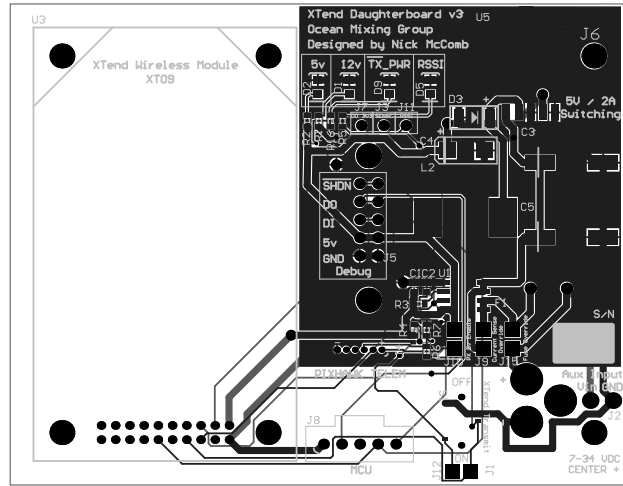
B

B

C

C

D



1

2

3

4