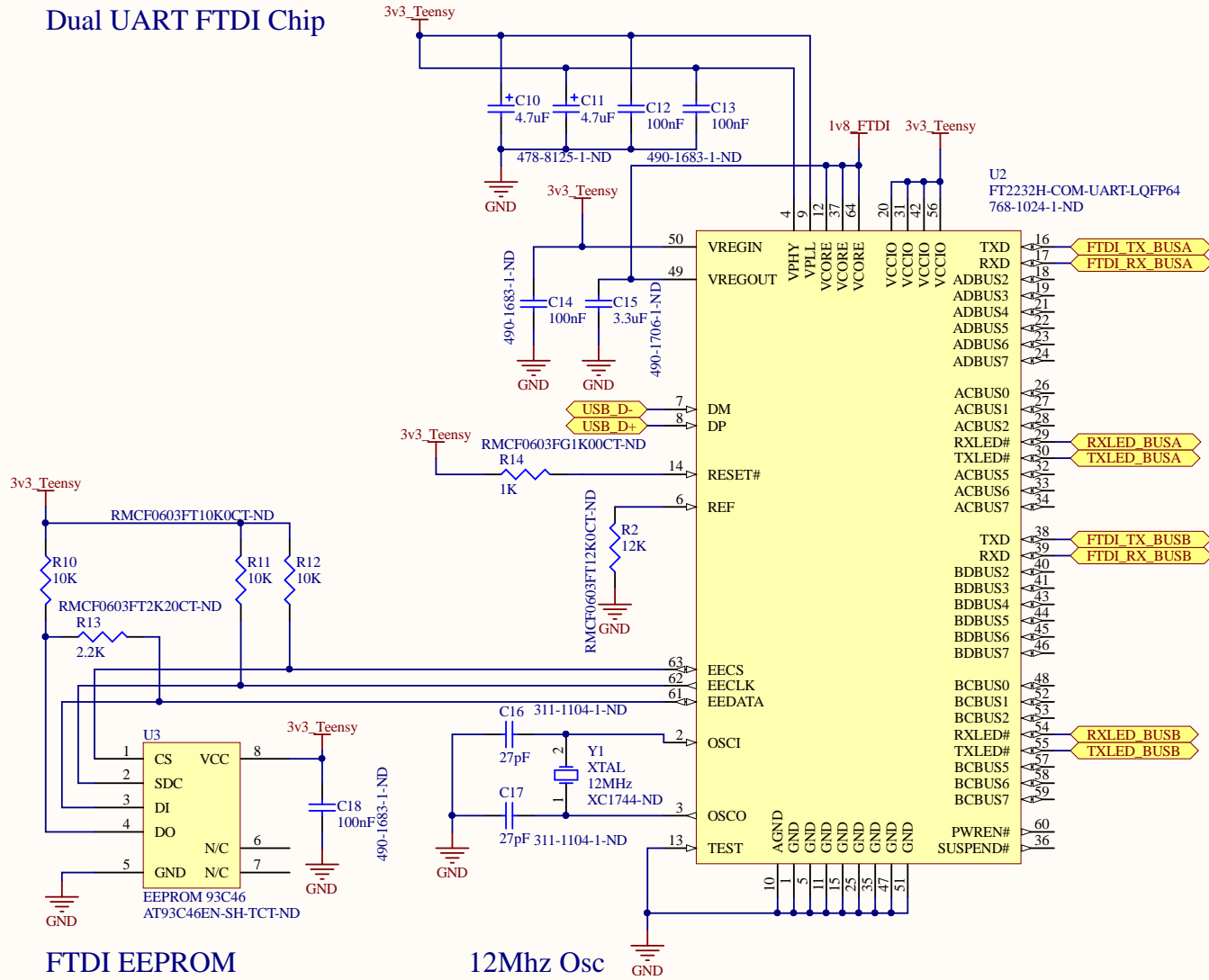
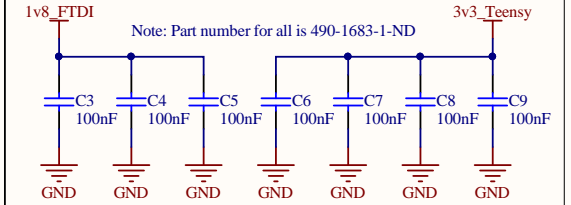


Title: Microcontroller.SchDoc			
Size: A4	Number: 1	Engineer: Nick McComb	
Date: 3/22/2016	Time: 4:18:49 PM	Sheet 1 of 4	
File: C:\Users\nrpc_000\Google Drive\PCB Designs\ROSSEBoxAuxillary\Microcontroller.SchDoc			

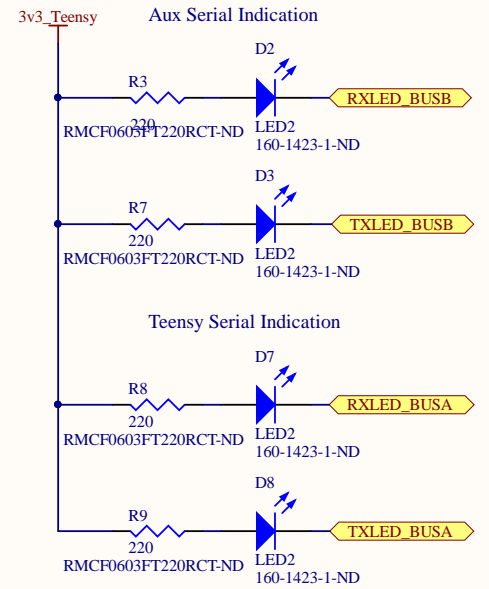
Dual UART FTDI Chip

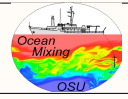


Filtering Caps

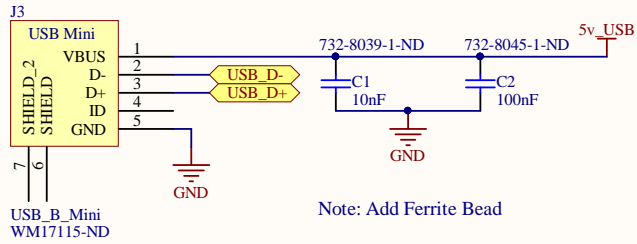


Status LEDs

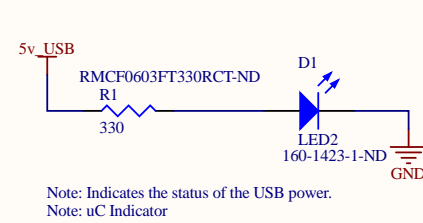


Title FTDI.SchDoc			 Ocean Mixing Group Oregon State University Corvallis, OR
Size: A4	Number: 2	Engineer: Nick McComb	
Date: 3/22/2016	Time: 4:18:49 PM	Sheet 2 of 4	
File: C:\Users\nrpc_000\Google Drive\PCB Designs\ROSSEBoxAuxillary\FTDI.SchDoc			

Microcontroller USB Connection

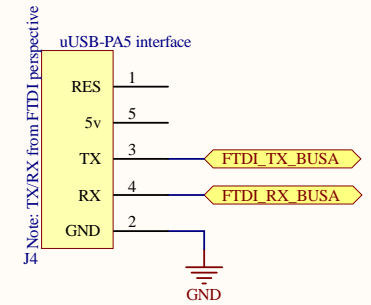


FTDI Status Indicators

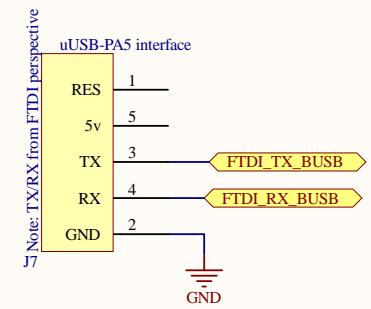
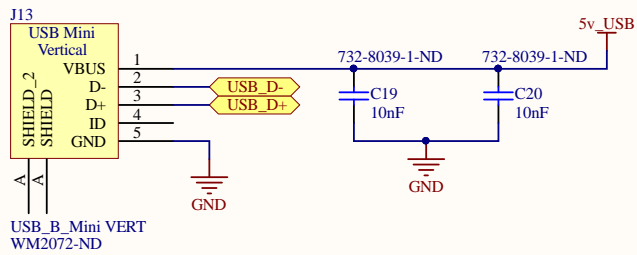


USB To Serial Backup

Note: Backup, do not populate unless onboard FTDI chips do not work



Vertical USB Port



1

2

3

4

J8

Mounting Hole

MountingHole

J9

Mounting Hole

MountingHole

J10

Mounting Hole

MountingHole

J11

Mounting Hole

MountingHole

A

A

B

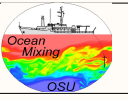
B

C

C

D

D

Title Hardware.SchDoc			<i>Ocean Mixing Group</i> <i>Oregon State University</i> <i>Corvallis, OR</i>	
Size: A4	Number: 4	Engineer: Nick McComb		
Date: 3/22/2016	Time: 4:18:49 PM	Sheet 4 of 4		
File: C:\Users\nrpc_000\Google Drive\PCB Designs\ROSSEBoxAuxillary\Hardware.SchDoc				

1

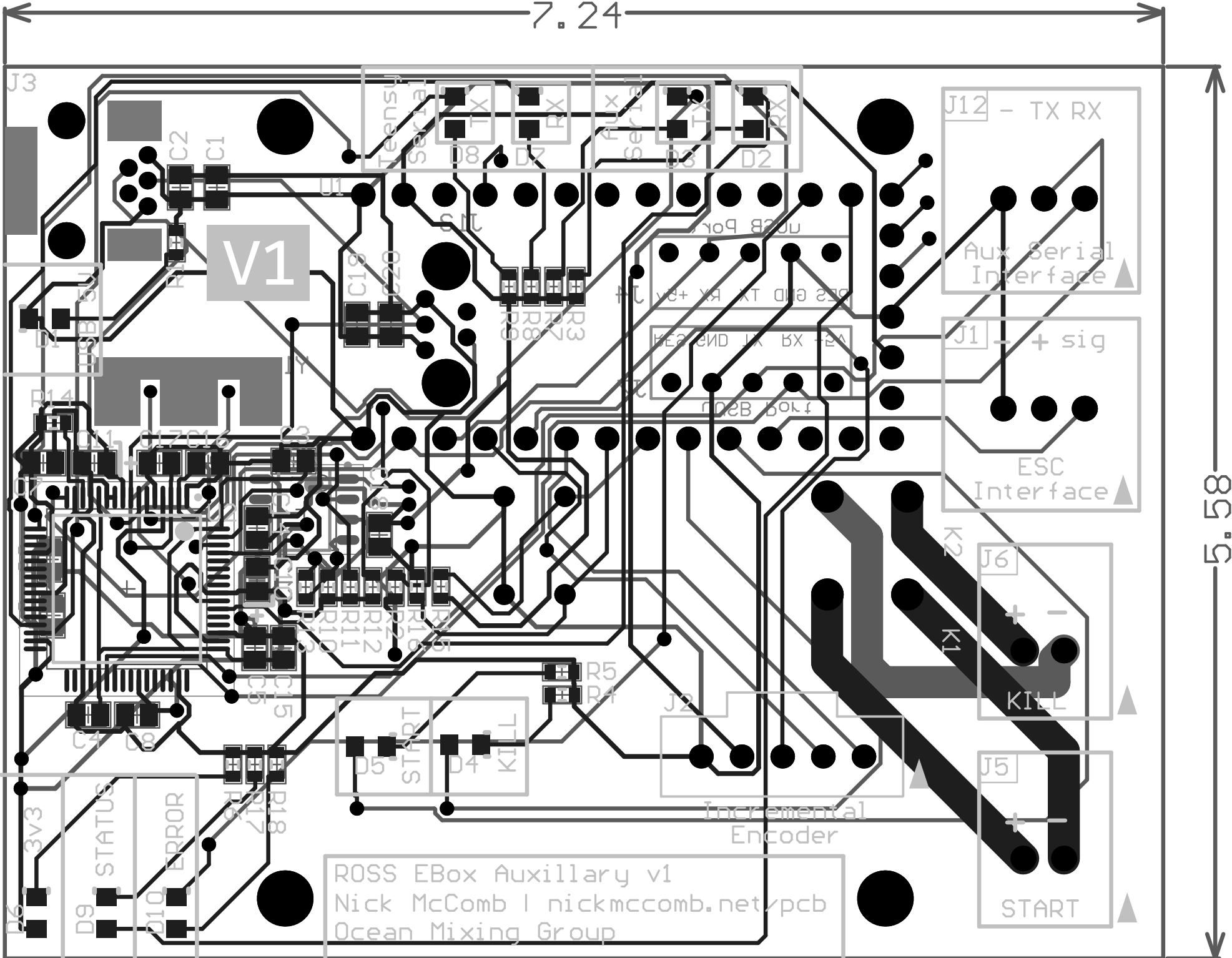
2

3

4

7.24

5.58



V1

J12 - TX RX

Aux Serial Interface ▲

J1 + + sig

ESC Interface ▲

J6 + -

KILL ▲

J5 + -

START ▲

ROSS EBox Auxillary v1
 Nick McComb | nickmccomb.net/pcb
 Ocean Mixing Group

J3

J12 - TX RX

Aux Serial Interface ▲

J1 + + sig

ESC Interface ▲

J6

KILL ▲

J5

START ▲

ROSS EBox Auxillary v1
 Nick McComb | nickmccomb.net/pcb
 Ocean Mixing Group

J3

J12 - TX RX

Aux Serial Interface ▲

J1 + + sig

ESC Interface ▲

J6

KILL ▲

J5

START ▲

ROSS EBox Auxillary v1
 Nick McComb | nickmccomb.net/pcb
 Ocean Mixing Group