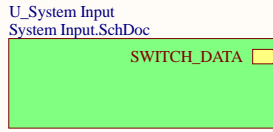
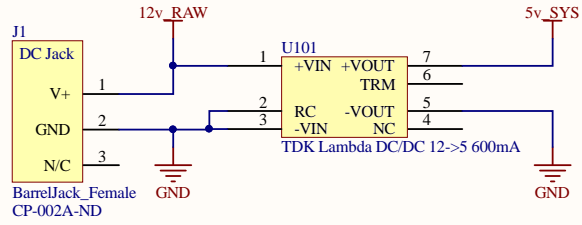
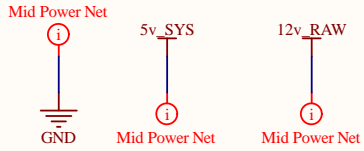


Power Input

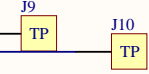
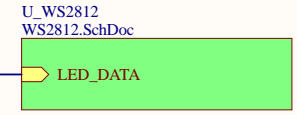
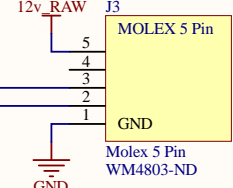
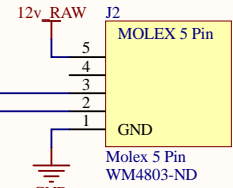
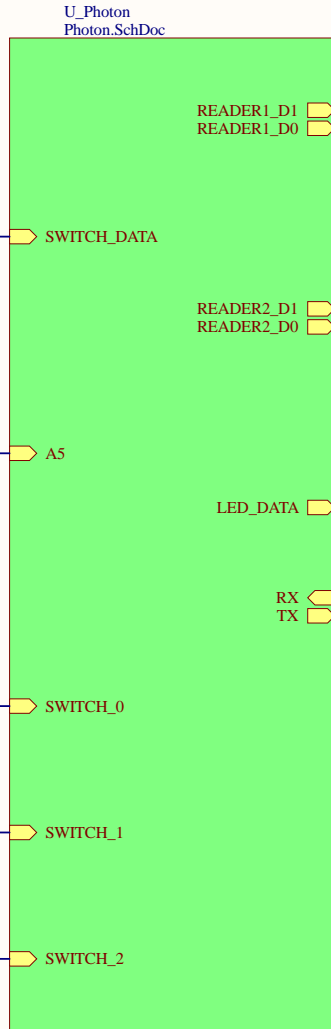
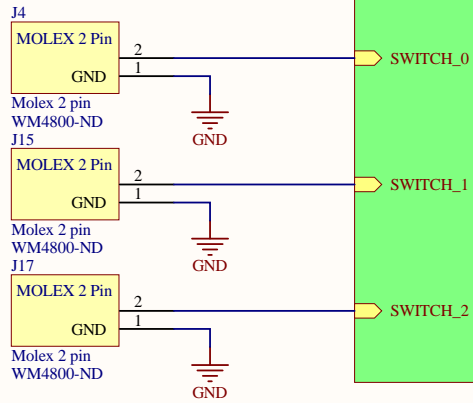
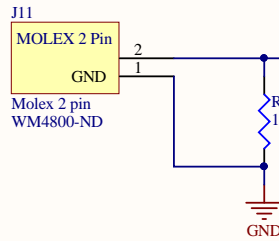
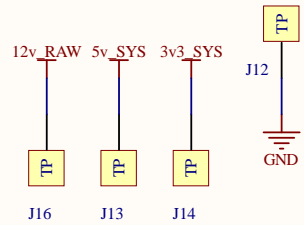


Knock Sensor Input

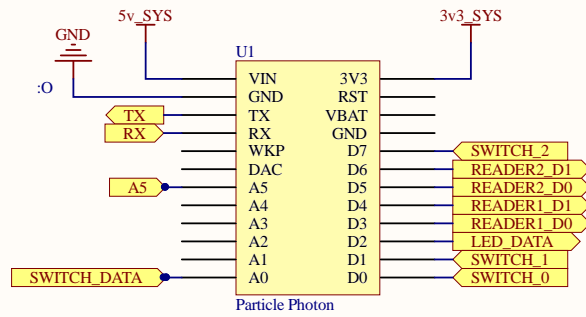
ClassName: MID_POWER



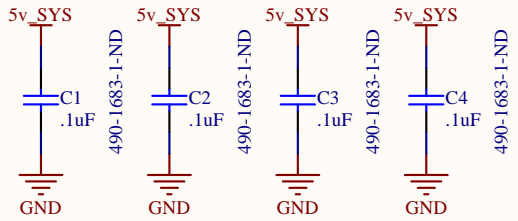
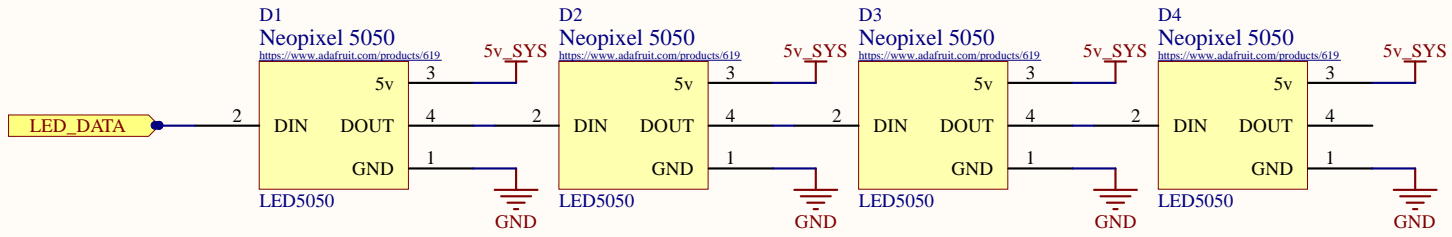
ClassName: MID_POWER



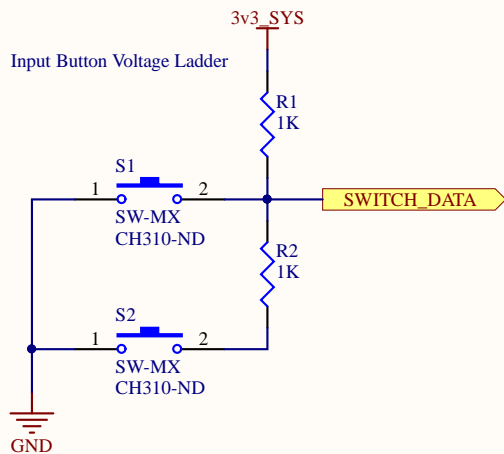
Title LATCH_Client_overview.SchDoc		
Size: A4	Number: 1	Revision: 1
Date: 1/9/2017	Time: 7:44:30 PM	Sheet 1 of 4
File: C:\Users\nrpc_000\Dropbox\PCB Designs (Conflict 2017)\LATCH Client\LATCH_Client_overview.SchDoc		



Title Photon.SchDoc			
Size: A4	Number: 2	Revision: 1	
Date: 1/9/2017	Time: 7:44:30 PM	Sheet 2 of 4	
File: C:\Users\nrpc.000\Dropbox\PCB Designs (Conflict 2017)\LATCH Client\Photon.SchDoc			



Title WS2812.SchDoc		
Size: A4	Number:3	Revision: 1
Date: 1/9/2017	Time: 7:44:30 PM	Sheet 3 of 4
File: C:\Users\nrpc_000\Dropbox\PCB Designs (Conflict 2017)\LATCH Client\WS2812.SchDoc		



Title System Input.SchDoc				
Size: A4	Number:4	Revision: 1		
Date: 1/9/2017	Time: 7:44:30 PM	Sheet 4 of 4		
File: C:\Users\nrpc_000\Dropbox\PCB Designs (Conflict 2017)\LATCH Client\System Input.SchDoc				

