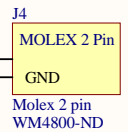
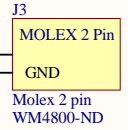
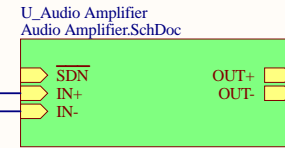
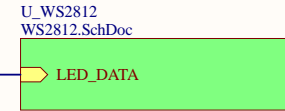
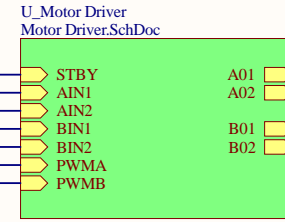
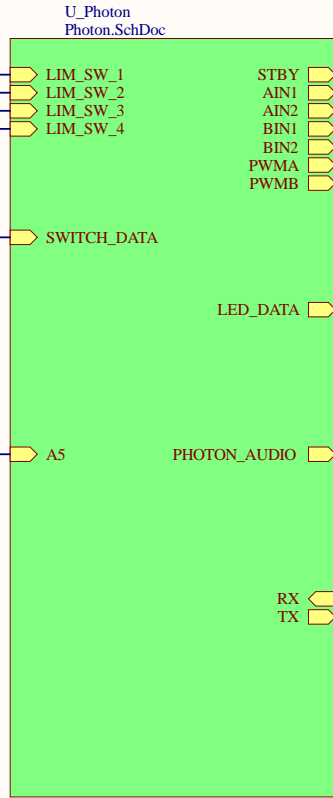
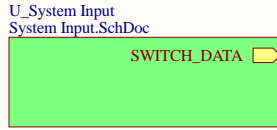
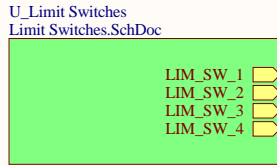
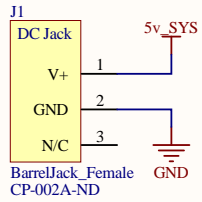
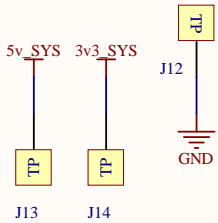
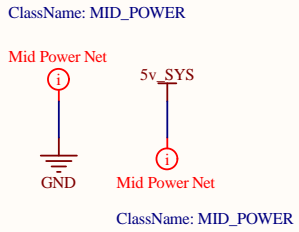
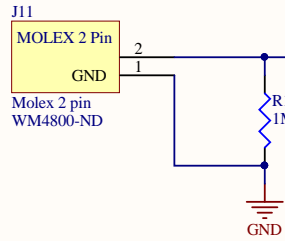


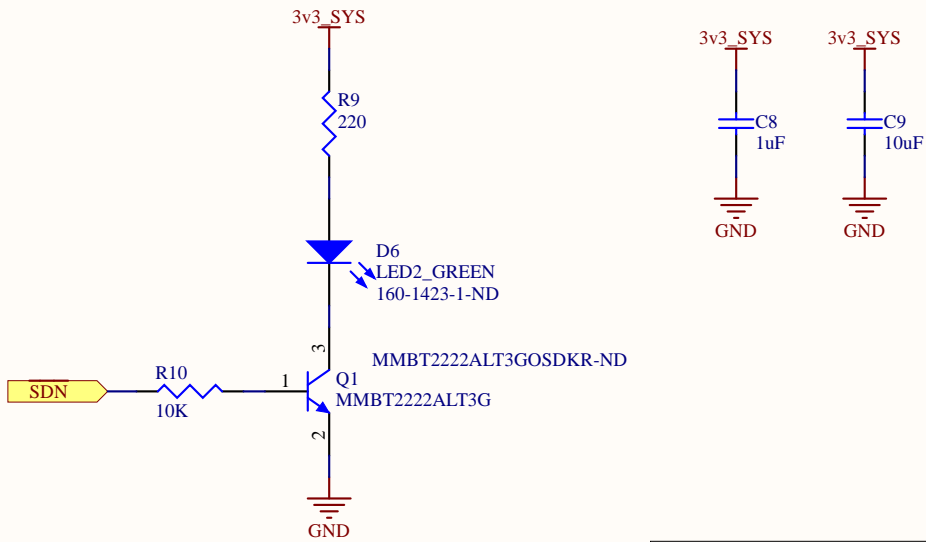
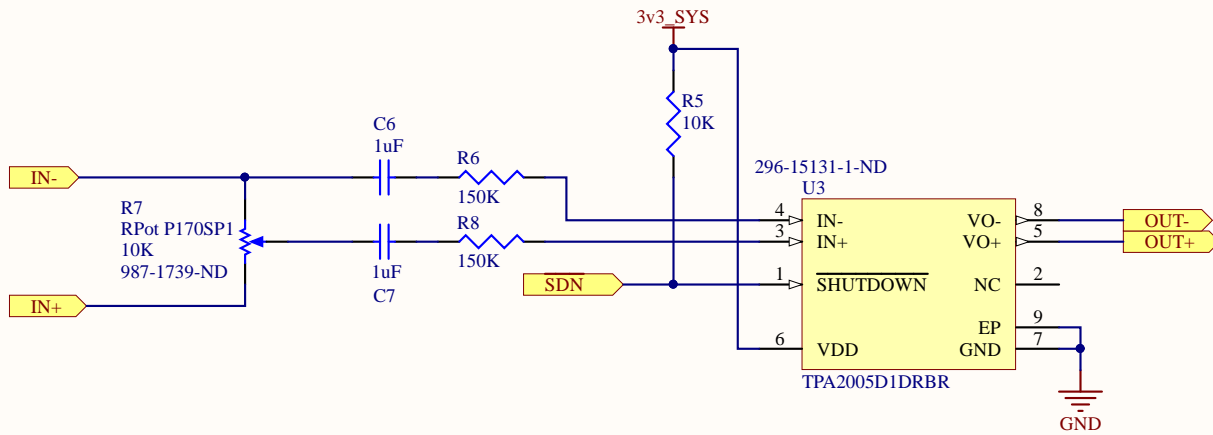
Power Input



Knock Sensor Input



Title LATCH_overview.SchDoc		
Size: A4	Number: 1	Revision: 1.1
Date: 2/10/2017	Time: 8:28:20 PM	Sheet 1 of 7
File: H:\Dropbox\PCB Designs (Conflict 2017)\LATCH\LATCH_overview.SchDoc		



Title *Audio Amplifier.SchDoc			
Size: A4	Number: 2	Revision: *1.1	
Date: 2/10/2017	Time: 8:28:20 PM	Sheet 2 of 7	
File: H:\Dropbox\PCB Designs (Conflict 2017)\LATCH\Audio Amplifier.SchDoc			

1

2

3

4

A

A

B

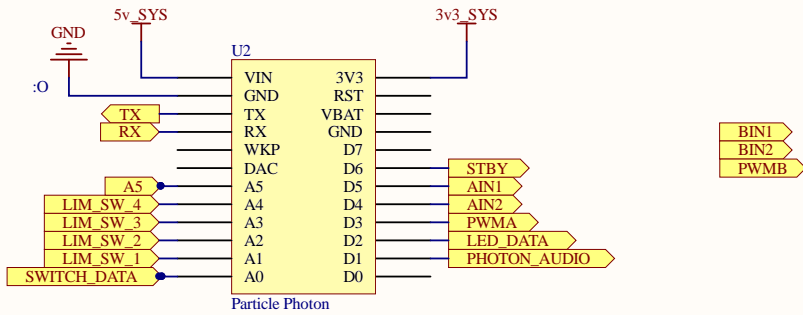
B

C

C

D

D



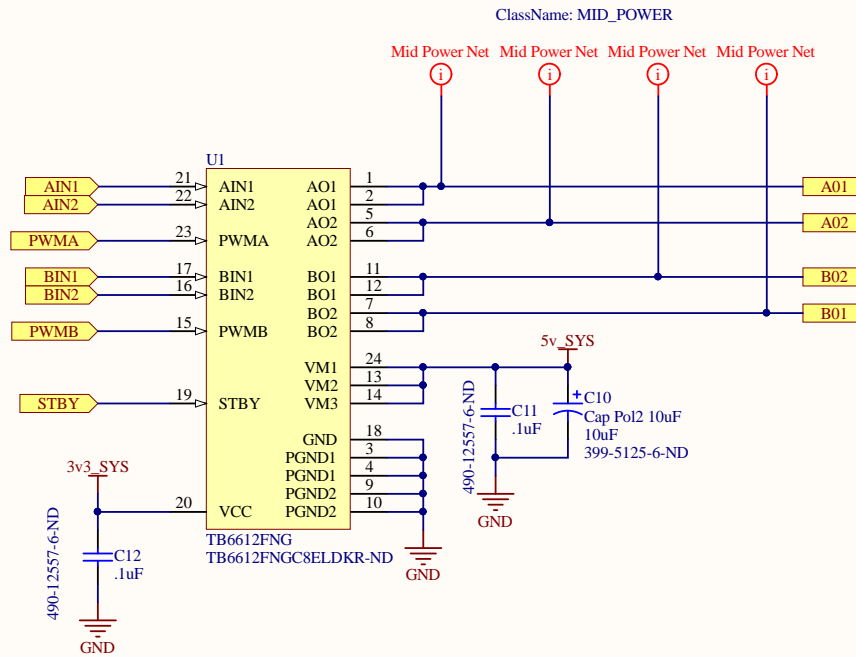
Title Photon.SchDoc			
Size: A4	Number: 3	Revision: 1.1	
Date: 2/10/2017	Time: 8:28:20 PM	Sheet 3 of 7	
File: H:\Dropbox\PCB Designs (Conflict 2017)\LATCH\Photon.SchDoc			

1

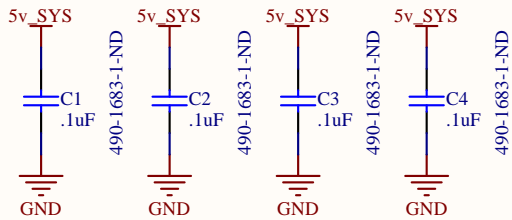
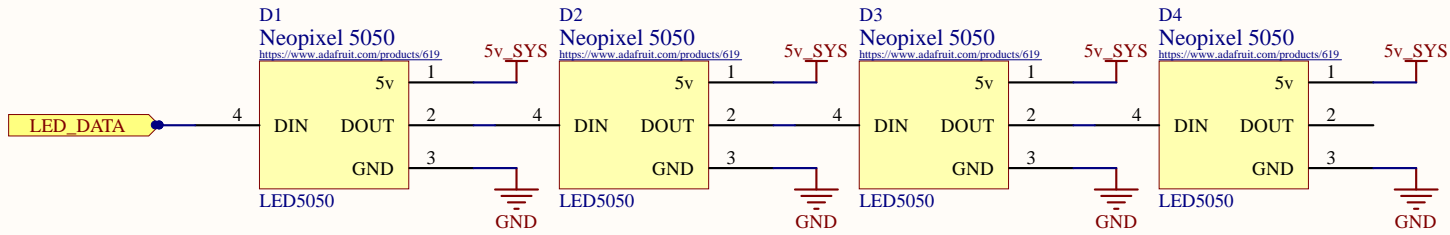
2

3

4



Title Motor Driver.SchDoc		
Size: A4	Number:4	Revision: 1.1
Date: 2/10/2017	Time: 8:28:20 PM	Sheet 4 of 7
File: H:\Dropbox\PCB Designs (Conflict 2017)\LATCH\Motor Driver.SchDoc		



Title WS2812.SchDoc			
Size: A4	Number:5	Revision: 1.1	
Date: 2/10/2017	Time: 8:28:20 PM	Sheet 5 of 7	
File: H:\Dropbox\PCB Designs (Conflict 2017)\LATCH\WS2812.SchDoc			

1

2

3

4

A

A

B

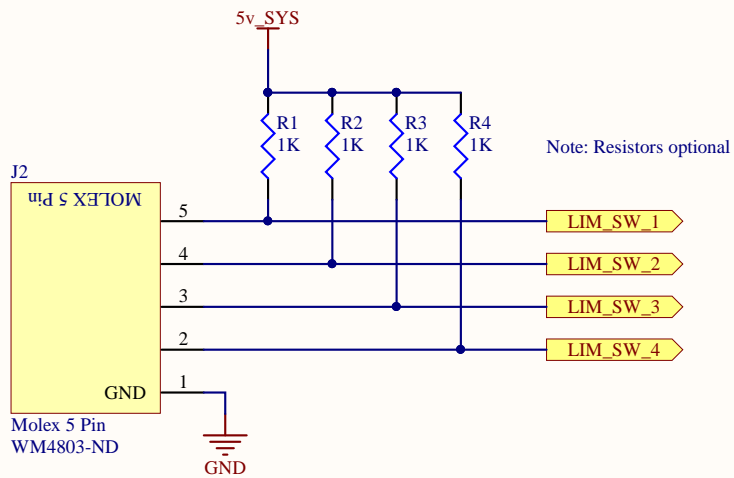
B

C

C

D

D



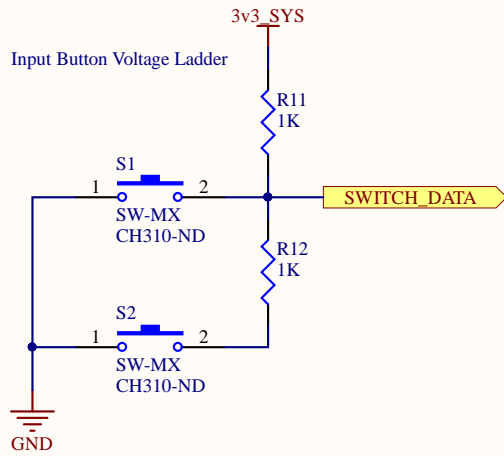
Title Limit Switches.SchDoc				
Size: A4	Number:6	Revision:*1.1		
Date: 2/10/2017	Time: 8:28:20 PM	Sheet 6 of 7		
File: H:\Dropbox\PCB Designs (Conflict 2017)\LATCH\Limit Switches.SchDoc				

1

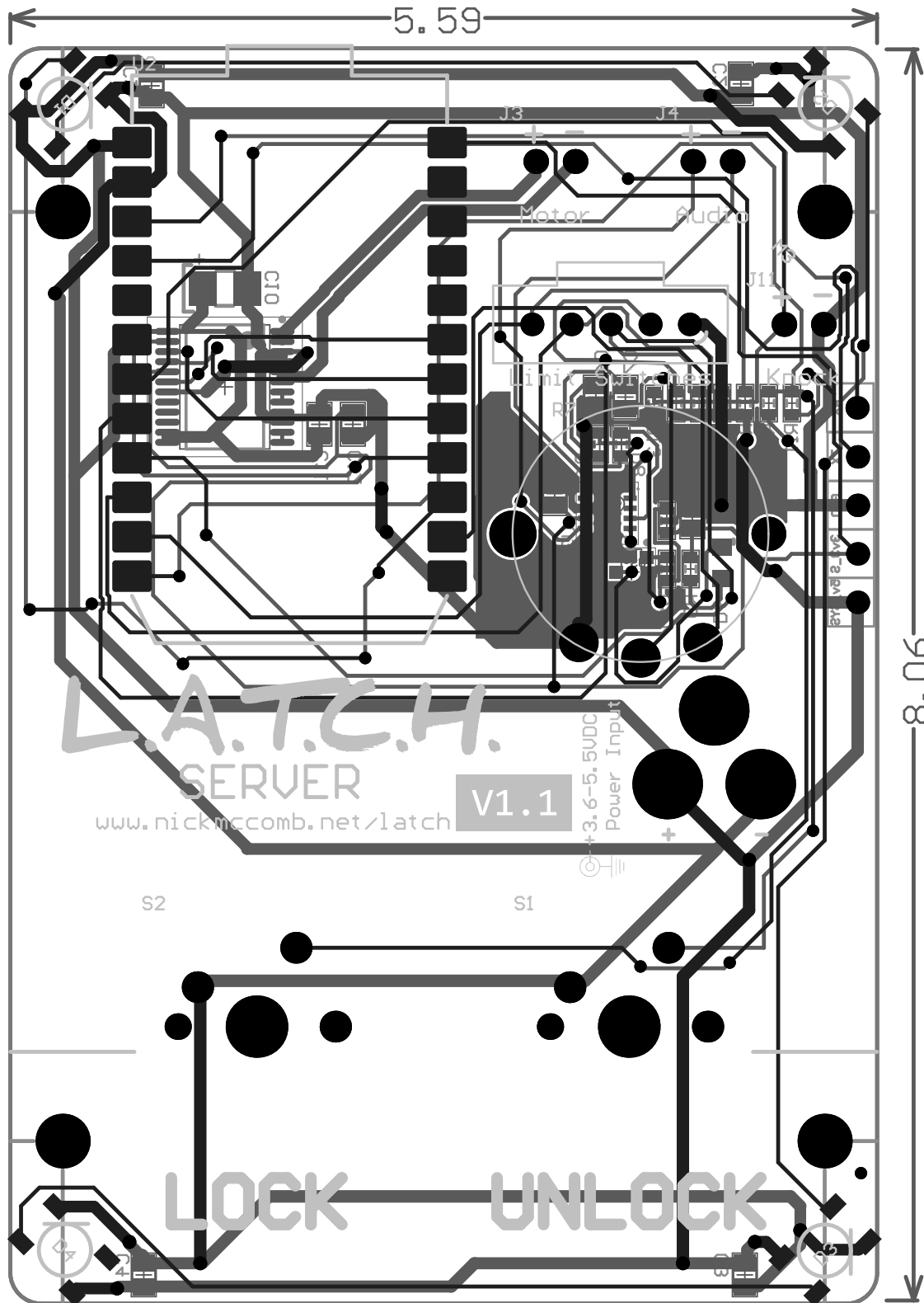
2

3

4



Title System Input.SchDoc				
Size: A4	Number:7	Revision: 1.1		
Date: 2/10/2017	Time: 8:28:20 PM	Sheet 7 of 7		
File: H:\Dropbox\PCB Designs (Conflict 2017)\LATCH\System Input.SchDoc				



5.59

8.06

L.A.T.C.H.

SERVER

www.nickmccomb.net/latch

V1.1

+3.6-5.5VDC
Power Input

S2

S1

LOCK

UNLOCK

Motor

Audio

Mini-SKY

Knob

BY V1.2 V1.3

