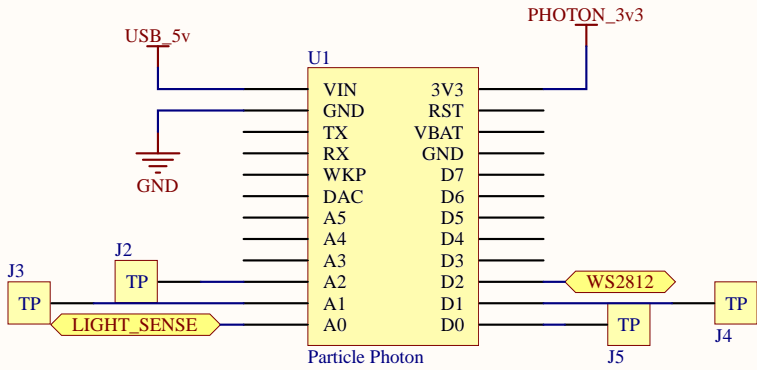
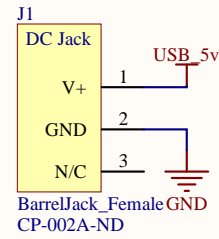


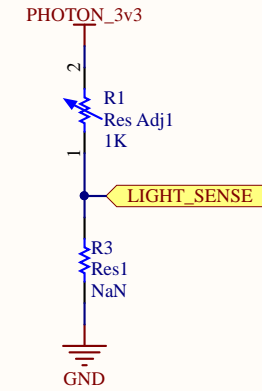
### Particle Photon



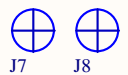
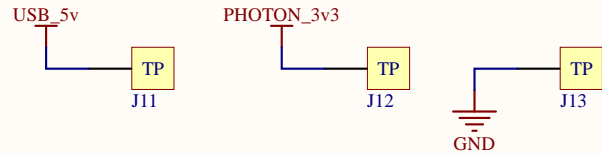
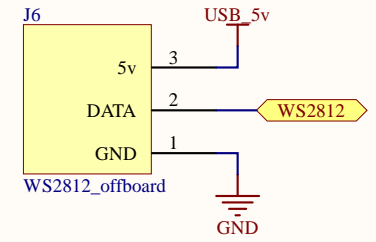
### Power Input



### Photocell



### RGB LED Control



Title <b>Main Schematic.SchDoc</b>			
Size: <b>A4</b>	Number: <b>1</b>	Engineer: <b>Nick McComb</b>	
Date: <b>1/10/2017</b>	Time: <b>10:13:04 PM</b>	Sheet <b>1</b> of <b>1</b>	
File:			

