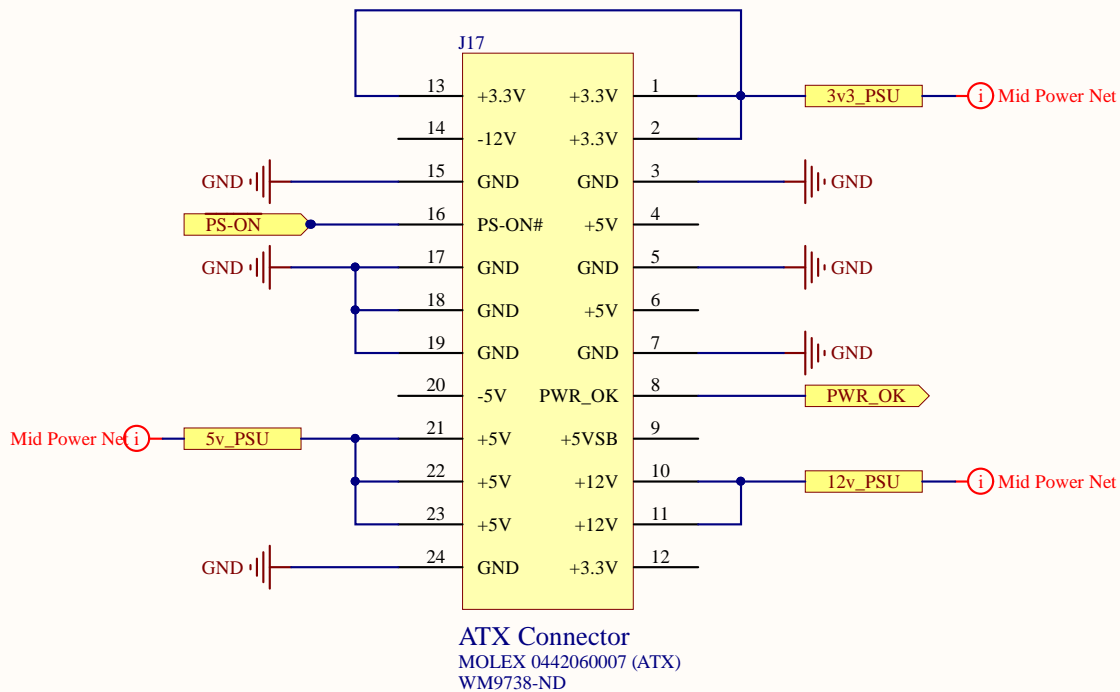
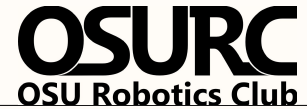


Main_Processing_PCB_Overview.SchDoc		
Size: A4	Number: 1	Revision: 1
Date: 2/10/2017	Time: 8:37:58 PM	Sheet 1 of 7
File: C:\Users\Nick\Google Drive\OSURC Master Drive [2016-2017]\Programs\ECE Capstone - Inventory Management System 2016		

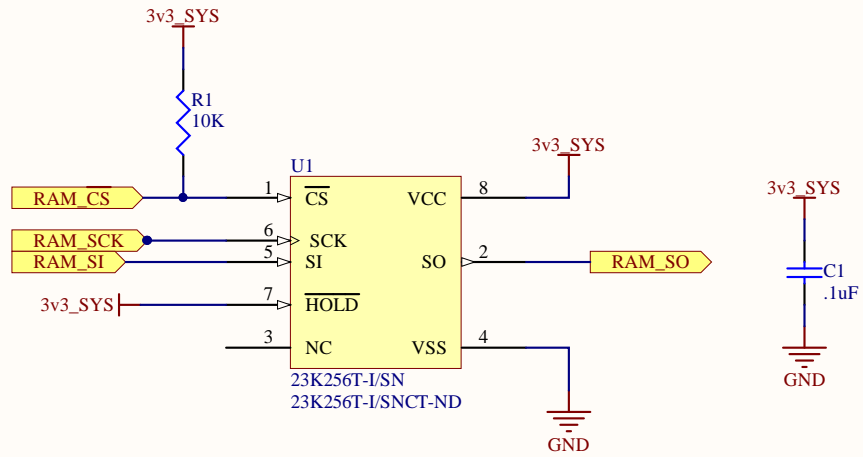




Title Power Input.SchDoc		
Size: A4	Number:2	Revision: 1
Date: 2/10/2017	Time: 8:37:58 PM	Sheet 2 of 7
File: C:\Users\Nick\Google Drive\OSURC Master Drive [2016-2017]\Programs\ECE Capstone - Inventory Management System 2016-2		

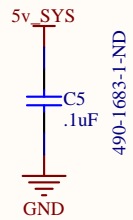
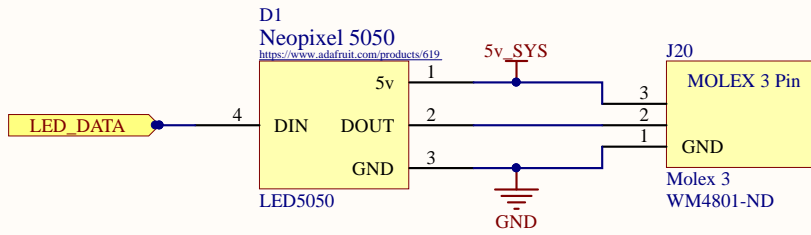


256KBits of RAM



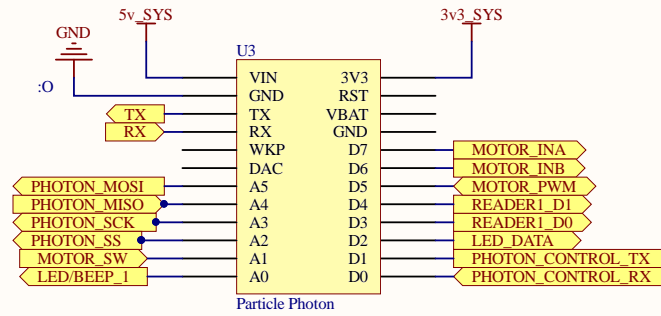
Title External RAM.SchDoc		
Size: A4	Number:3	Revision: 1
Date: 2/10/2017	Time: 8:37:58 PM	Sheet 3 of 7
File: C:\Users\Nick\Google Drive\OSURC Master Drive [2016-2017]\Programs\ECE Capstone - Inventory Management System 2016-2		





Title WS2812.SchDoc		
Size: A4	Number:4	Revision: 1
Date: 2/10/2017	Time: 8:37:58 PM	Sheet 4 of 7
File: C:\Users\Nick\Google Drive\OSURC Master Drive [2016-2017]\Programs\ECE Capstone - Inventory Management System 2016-2		

OSURC
OSU Robotics Club

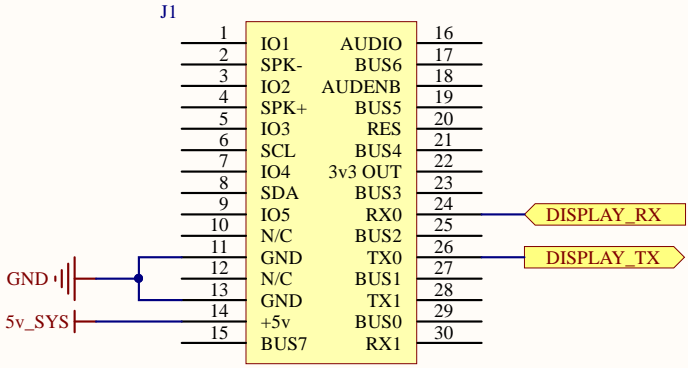


Title Photon.SchDoc		
Size: A4	Number: 5	Revision: 1
Date: 2/10/2017	Time: 8:37:58 PM	Sheet 5 of 7
File: C:\Users\Nick\Google Drive\OSURC Master Drive [2016-2017]\Programs\ECE Capstone - Inventory Management System 2016		



A

A

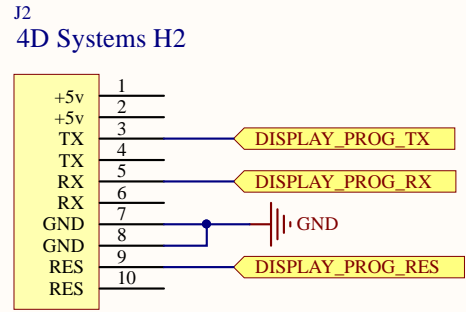


Connector installed on bottom
4D_SYSTEMS_H1
3M9530-ND

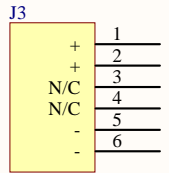


B

B



Connector installed on bottom
4D_SYSTEMS_H2
3M9526-ND



Connector installed on bottom
4D_SYSTEMS_P1
3M9525-ND

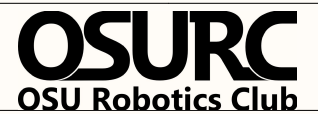
Note: P1 used for mechanical stability only

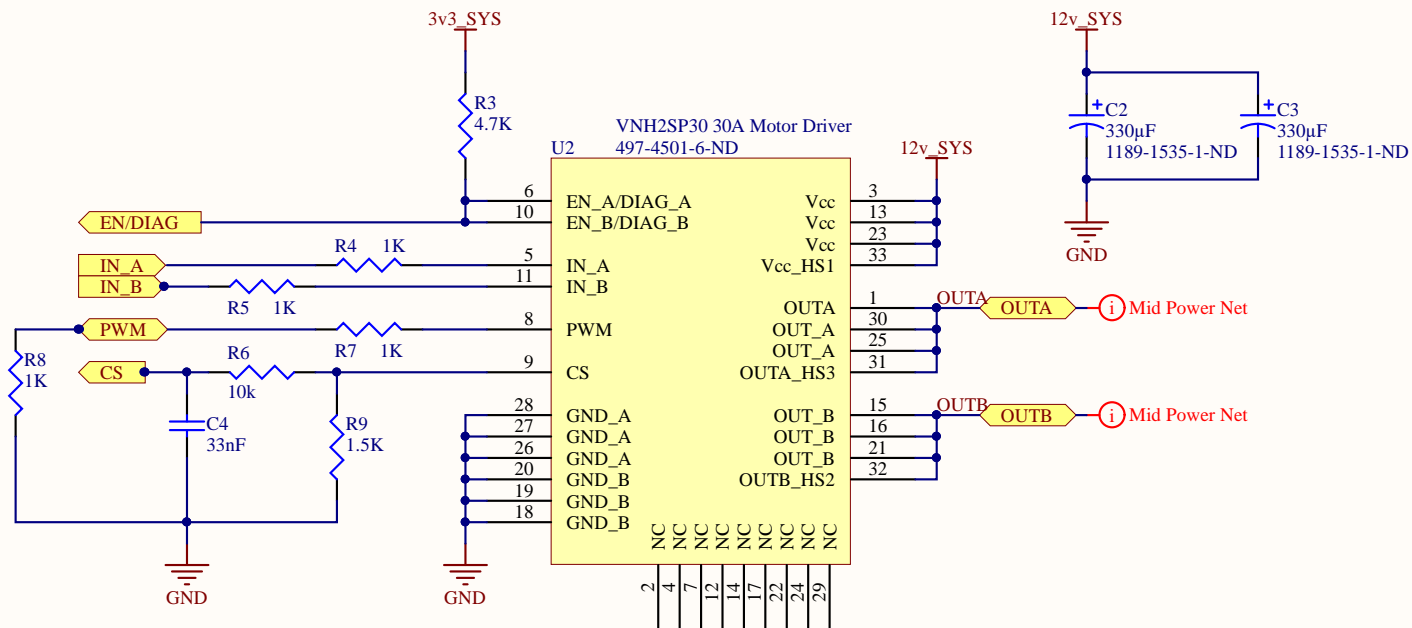
Note: Used for connection to uLCD-32PTU from 4D Systems

D

D

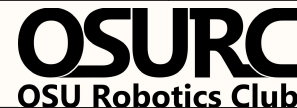
Title Display Connection.SchDoc		
Size: A4	Number:6	Revision: 1
Date: 2/10/2017	Time: 8:37:58 PM	Sheet 6 of 7
File: C:\Users\Nick\Google Drive\OSURC Master Drive [2016-2017]\Programs\ECE Capstone - Inventory Management System 2016-2		

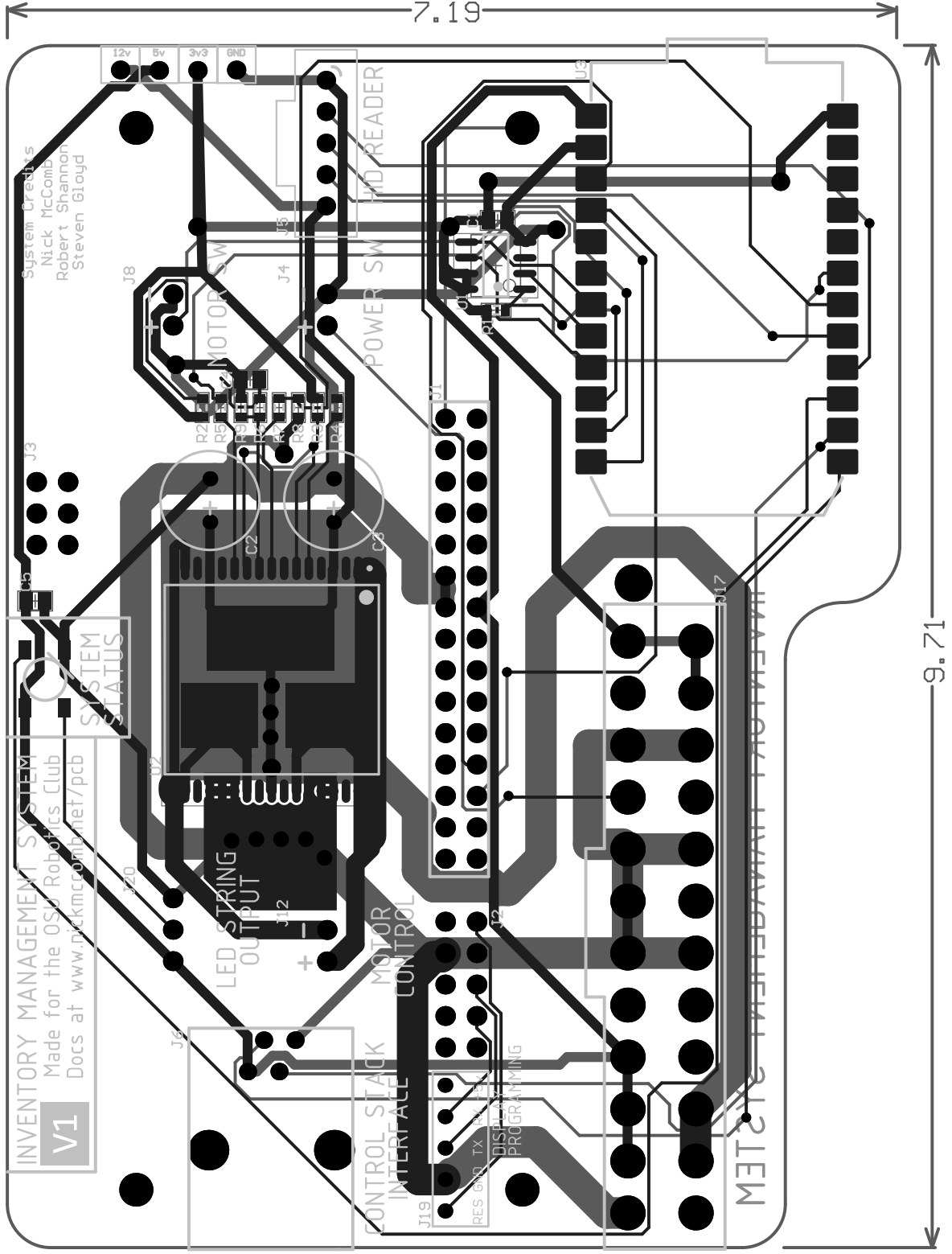




NOTE: NO REVERSE POLARITY PROTECTION

Title Motor Driver - 30A.SchDoc		
Size: A4	Number:7	Revision: 1
Date: 2/10/2017	Time: 8:37:58 PM	Sheet 7 of 7
File: C:\Users\Nick\Google Drive\OSURC Master Drive [2016-2017]\Programs\ECE Capstone - Inventory Management System 2016-2		





INVENTORY MANAGEMENT SYSTEM
 V1
 Made for the OSU Robotics Club
 Docs at www.nickmccomb.net/pcb

System Credits
 Nick McComb
 Robert Shannon
 Steven Glloyd

SYSTEM STATUS

LED STRING OUTPUT

MOTOR SW

POWER SW

MOTOR SW

MOTOR SW

MOTOR SW

MOTOR SW

MOTOR SW

MOTOR SW

MOTOR SW

MOTOR SW

MOTOR SW

MOTOR SW

MOTOR SW

MOTOR SW

MOTOR SW

MOTOR SW

MOTOR SW

MOTOR SW

MOTOR SW

MOTOR SW

MOTOR SW

MOTOR SW

MOTOR SW

MOTOR SW

MOTOR SW

MOTOR SW

MOTOR SW

MOTOR SW

MOTOR SW

MOTOR SW

MOTOR SW

MOTOR SW

MOTOR SW

MOTOR SW

MOTOR SW

MOTOR SW

MOTOR SW

MOTOR SW

MOTOR SW

MOTOR SW

MOTOR SW

MOTOR SW

MOTOR SW

MOTOR SW

MOTOR SW

MOTOR SW

MOTOR SW

MOTOR SW

MOTOR SW

MOTOR SW

MOTOR SW

MOTOR SW

MOTOR SW

MOTOR SW

MOTOR SW

MOTOR SW

7.19

9.71

CONTROL STACK INTERFACE

MOTOR CONTROL

DISPATCH PROGRAMMING

RES GND TX TX TX TX

J19

J2

J3

J4

J5

J6

J7

J8

J9

J10

J11

J12

J13

J14

J15

J16

J17

J18

J19

J20

J21

J22

J23

J24

J25

J26

J27

J28

J29

J30

J31

J32

J33

J34

J35

J36

J37

J38

J39

J40

J41

J42

J43

J44

J45

J46

J47

J48

J49

J50

J51

J52

J53

J54

J55

J56

J57

J58

J59

J60

J61

J62

J63

J64

J65

J66

J67

J68

J69

J70

J71

J72

J73

J74

J75

J76

J77

J78

J79

J80

J81

J82

J83

J84

J85

J86

J87

J88

J89

J90

J91

J92

J93

J94

J95

J96

J97

J98

J99

J100

J101

J102

J103

J104

J105

J106

J107

J108

J109

J110

J111

J112

J113

J114

J115

J116

J117

J118

J119

J120

J121

J122

J123

J124

J125

J126

J127

J128

J129

J130

J131

J132

J133

J134

J135

J136

J137

J138

J139

J140

J141

J142

J143

J144

J145

J146

J147

J148

J149

J150

J151

J152

J153

J154

J155

J156

J157

J158

J159

J160

J161

J162

J163

J164

J165

J166

J167

J168

J169

J170

J171

J172

J173

J174

J175

J176

J177

J178

J179

J180

J181

J182

J183

J184

J185

J186

J187

J188

J189

J190

J191

J192

J193

J194

J195

J196

J197

J198

J199

J200

J201

J202

J203

J204

J205

J206

J207

J208

J209

J210

J211

J212

J213

J214

J215

J216

J217

J218

J219

J220

J221

J222

J223

J224

J225

J226

J227

J228

</