

Computer Access Module

A

B

C

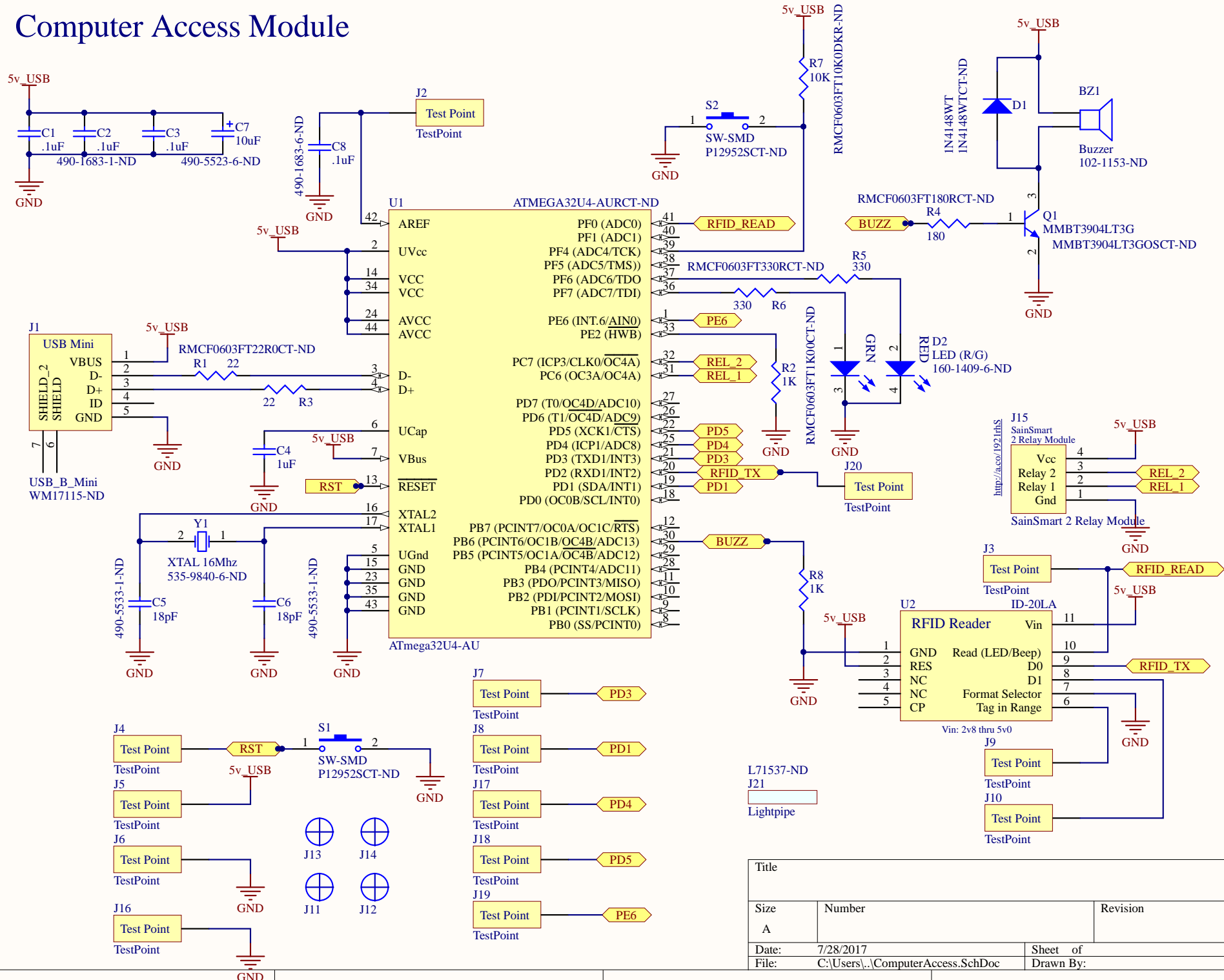
D

A

B

C

D



Title		
Size	Number	Revision
A		
Date:	7/28/2017	Sheet of
File:	C:\Users\...\ComputerAccess.SchDoc	Drawn By:

