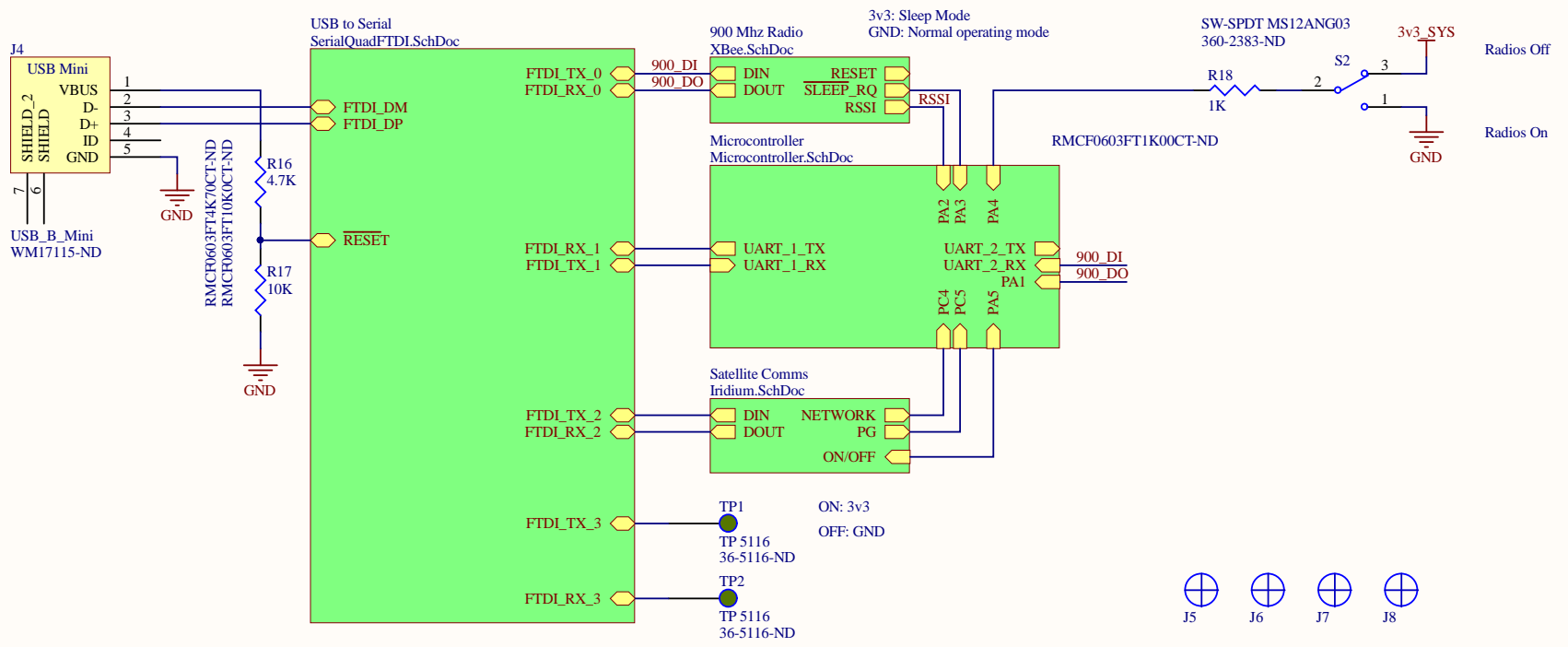
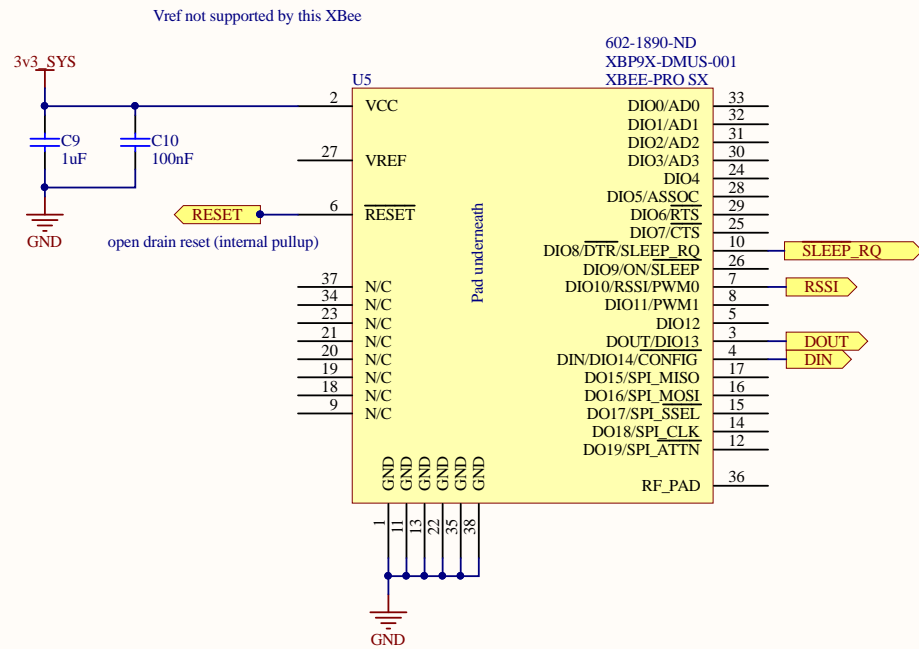


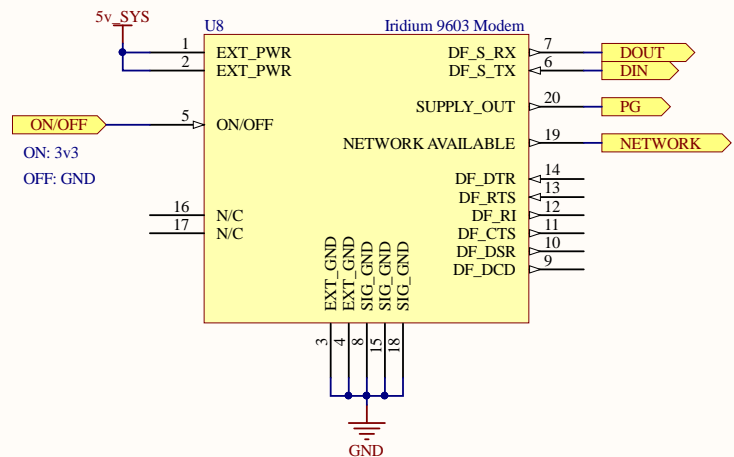
Change to microcontroller control for Radios ON/OFF with override switch

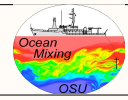


Title Main.SchDoc			Ocean Mixing Group Oregon State University Corvallis, OR	
Size: A4	Number: 1	Engineer: Nick McComb		
Date: 2/16/2018	Time: 11:38:30 AM	Sheet 1 of 7	Revision: 1	
File: C:\Users\Nick\Google Drive\Projects - Hobbies\Projects\PCB Designs\ROSSComms\Main.SchDoc				



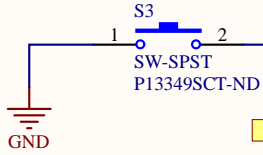
Title XBee.SchDoc			Ocean Mixing Group Oregon State University Corvallis, OR	
Size: A4	Number: 2	Engineer: Nick McComb		
Date: 2/16/2018 Time: 11:38:30 AM Sheet 2 of 7 Revision: 1				
File: C:\Users\Nick\Google Drive\Projects_Hobbies\Projects\PCB Designs\ROSSComms\XBee.SchDoc				



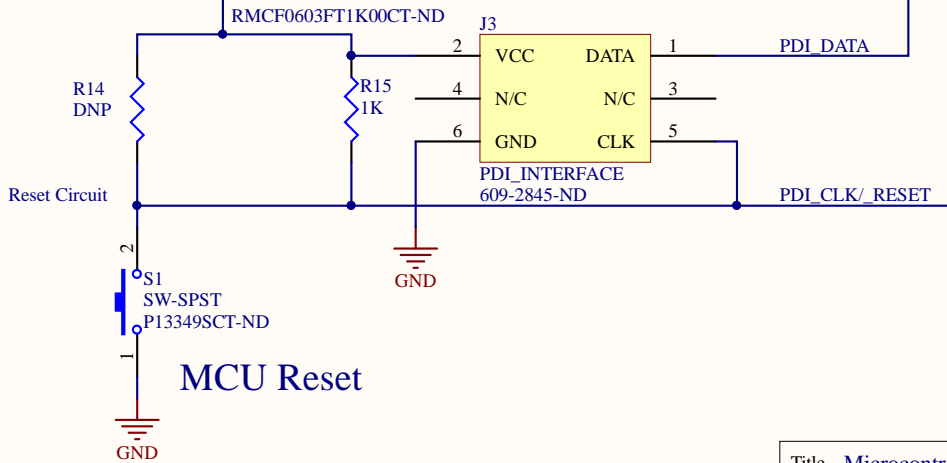
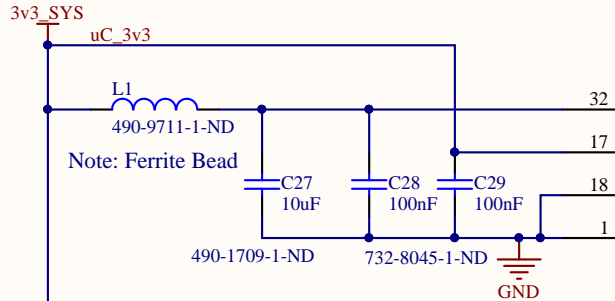
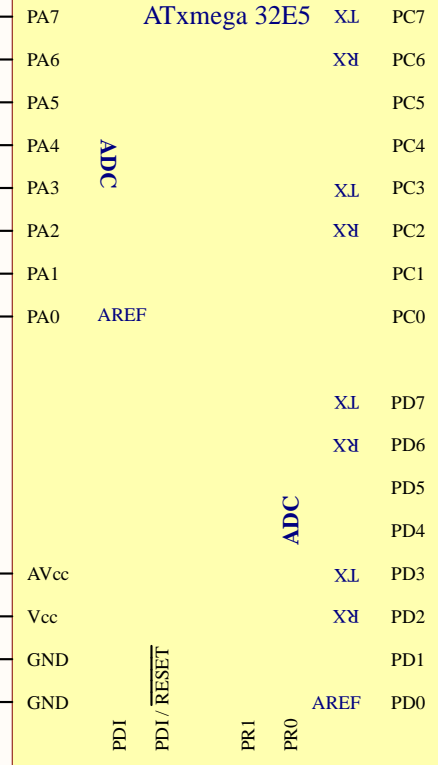
Title Iridium.SchDoc			Ocean Mixing Group Oregon State University Corvallis, OR	
Size: A4	Number: 3	Engineer: Nick McComb		
Date: 2/16/2018 Time: 11:38:30 AM Sheet 3 of 7 Revision: 1				
File: C:\Users\Nick\Google Drive\Projects_Hobbies\Projects\PCB Designs\ROSSComms\Iridium.SchDoc				

MCU

LED Display Button (use internal pullups)

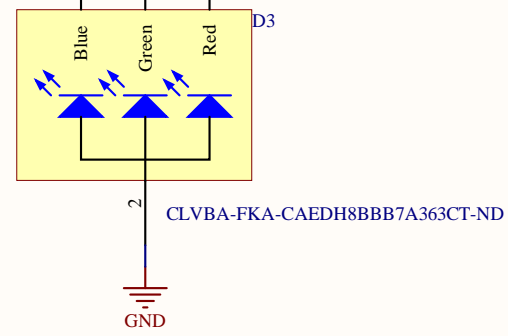
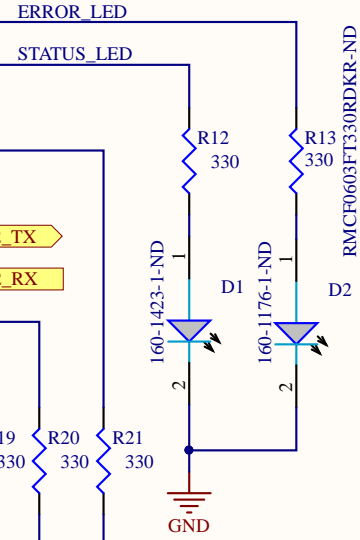


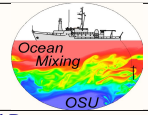
U9 ATXMEGA32E5-AURDKR-ND



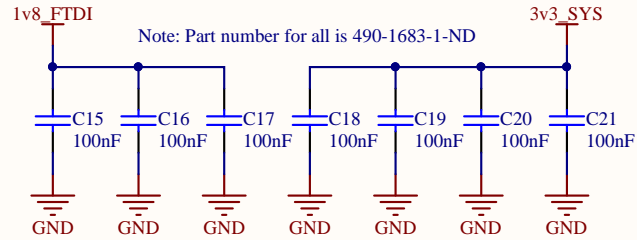
MCU Reset

Note: Error LED is RED.

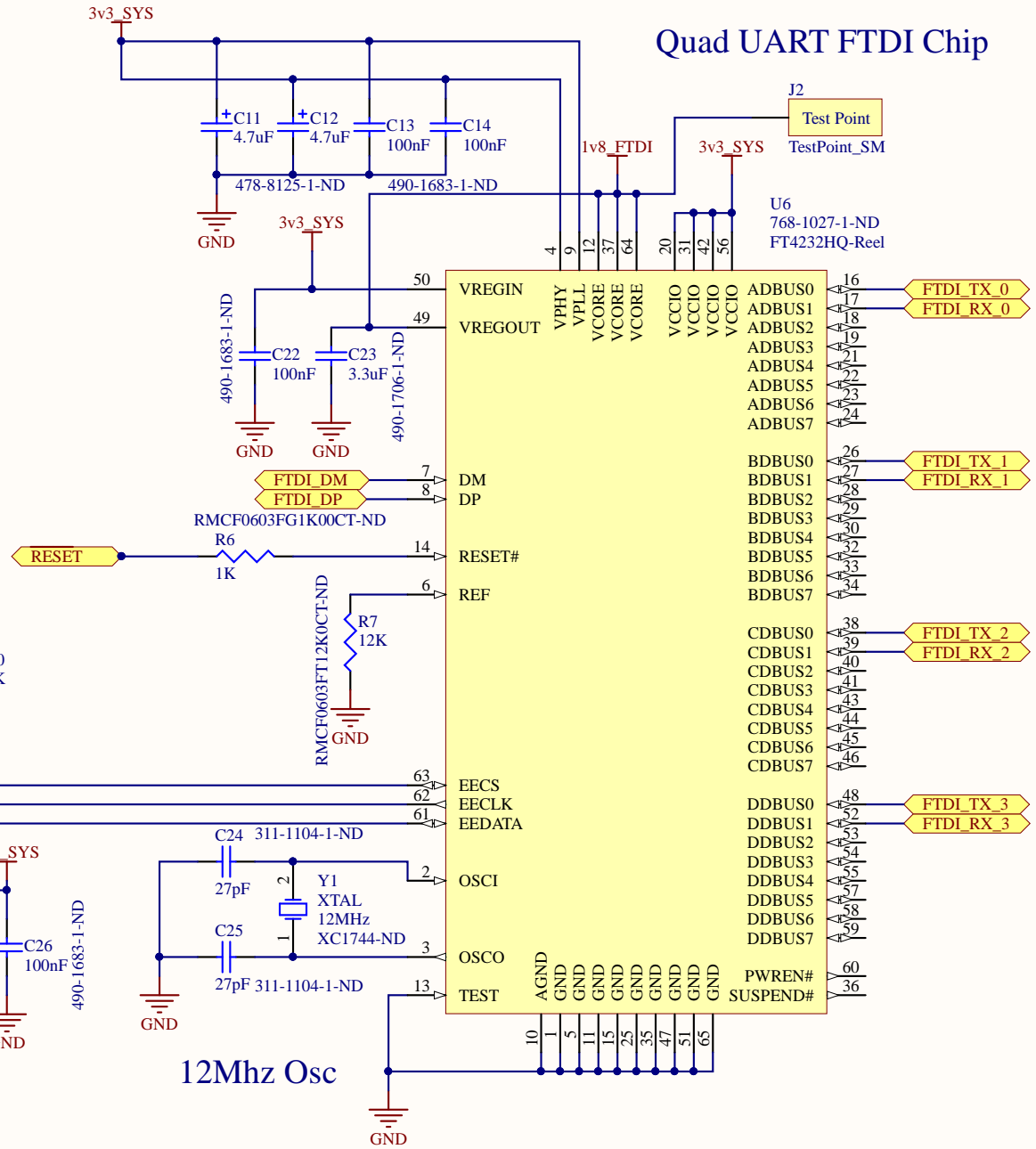


Title Microcontroller.SchDoc				Ocean Mixing Group Oregon State University Corvallis, OR		
Size: A4	Number: 4	Engineer: Nick McComb				
Date: 2/16/2018	Time: 11:38:30 AM	Sheet 4 of 7	Revision: 1			
File: C:\Users\Nick\Google Drive\Projects_Hobbies\Projects\PCB Designs\ROSSComms\Microcontroller.SchDoc						

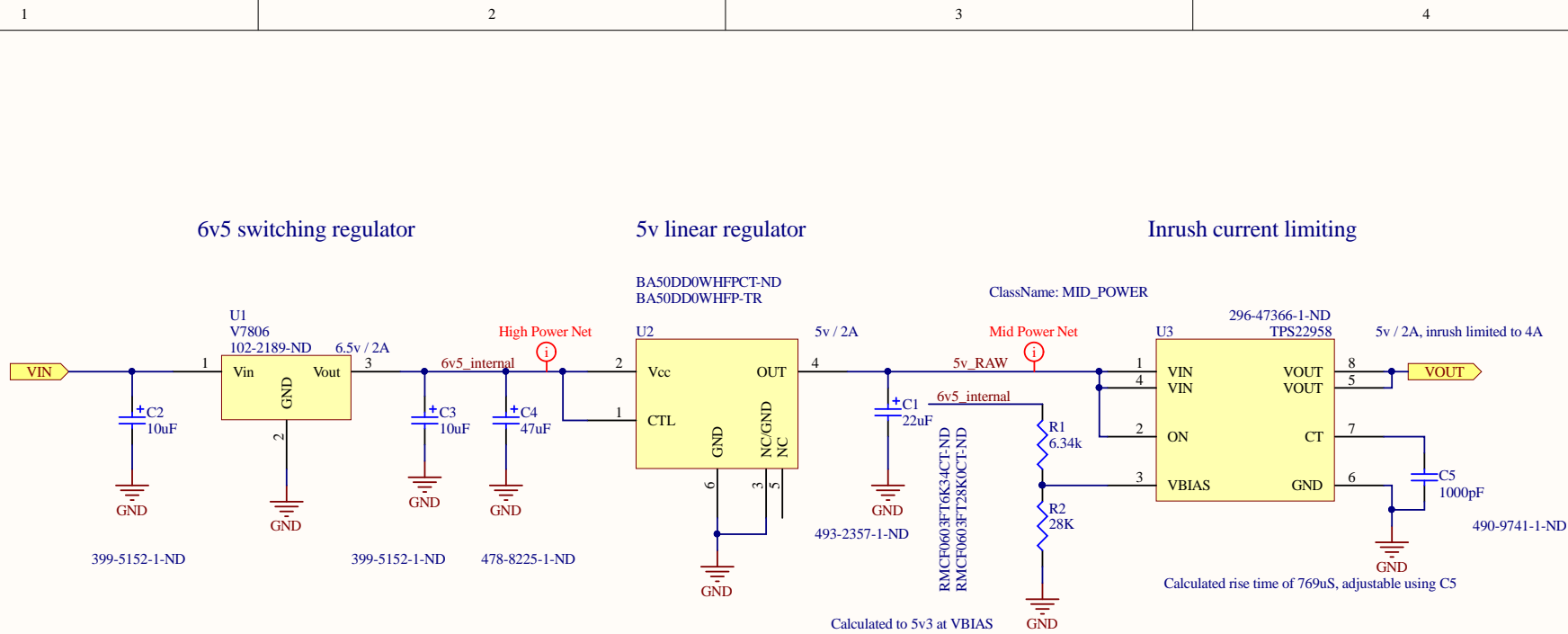
Filtering Caps



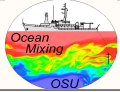
Quad UART FTDI Chip



FTDI EEPROM



Rough power supply drawing

Title 5v_power.SchDoc			Ocean Mixing Group Oregon State University Corvallis, OR	
Size: A4	Number: 6	Engineer: Nick McComb		
Date: 2/16/2018	Time: 11:38:31 AM	Sheet 6 of 7	Revision: 1	
File: C:\Users\Nick\Google Drive\Projects_Hobbies\Projects\PCB Designs\ROSSComms\5v_power.SchDoc				

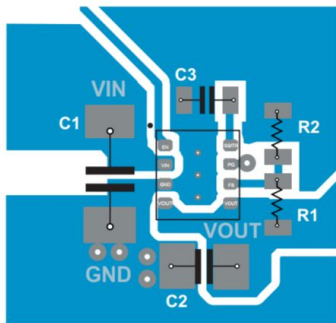
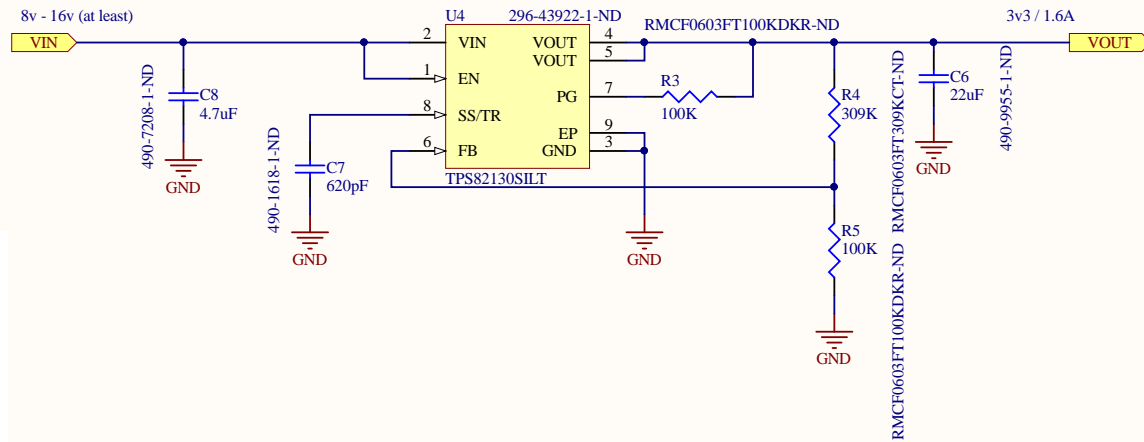
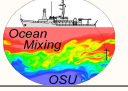


Figure 29. TPS82130 PCB Layout

Title 3v3_power.SchDoc			Ocean Mixing Group Oregon State University Corvallis, OR	
Size: A4	Number: 7	Engineer: Nick McComb		
Date: 2/16/2018	Time: 11:38:31 AM	Sheet 7 of 7	Revision: 1	
File: C:\Users\Nick\Google Drive\Projects_Hobbies\Projects\PCB Designs\ROSSComms\3v3_power.SchDoc				

<https://webench.ti.com/appinfo/webench/scripts/SDP.cgi?ID=F806354EE8FAAA63>

