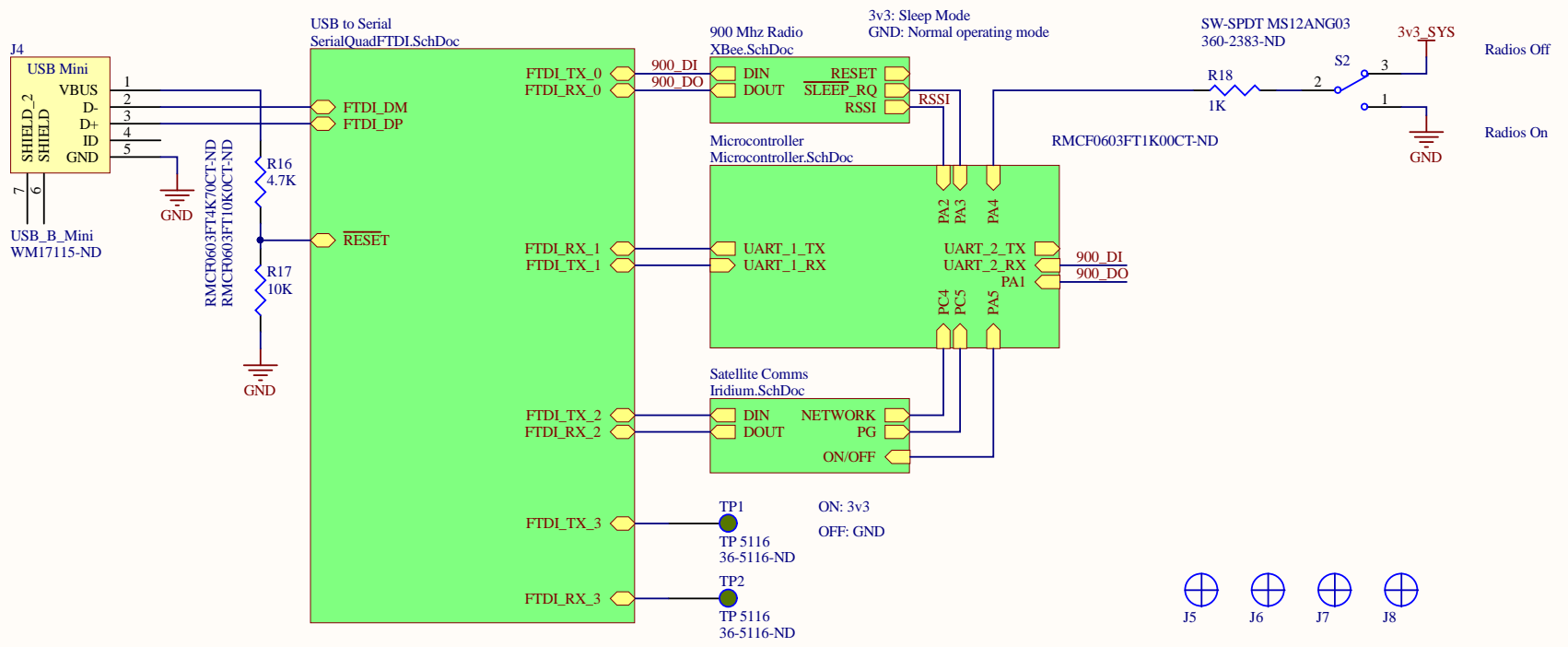
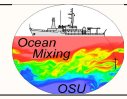
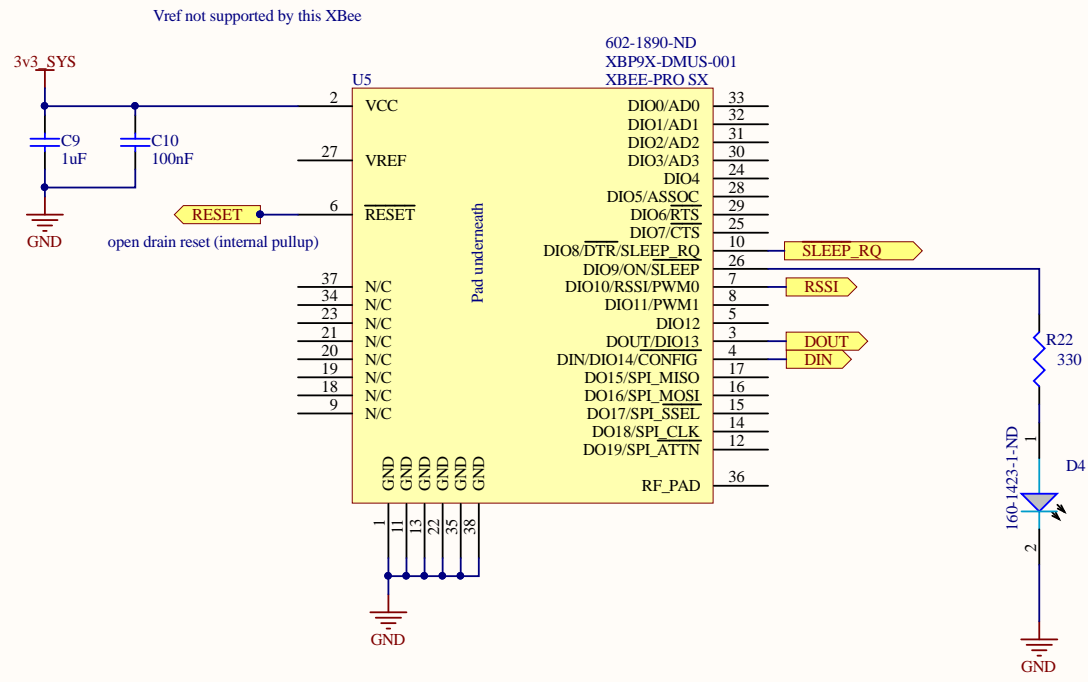
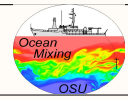


Change to microcontroller control for Radios ON/OFF with override switch



Title Main.SchDoc			 Ocean Mixing Group Oregon State University Corvallis, OR
Size: A4	Number: 1	Engineer: Nick McComb	
Date: 3/27/2018	Time: 10:23:40 AM	Sheet 1 of 7 Revision: 1.1	
File: C:\Users\Nick\Google Drive\Projects_Hobbies\Projects\PCB Designs\ROSSComms\Main.SchDoc			



Title XBee.SchDoc			Ocean Mixing Group Oregon State University Corvallis, OR	
Size: A4	Number: 2	Engineer: Nick McComb		
Date: 3/27/2018	Time: 10:23:40 AM	Sheet 2 of 7		
File: C:\Users\Nick\Google Drive\Projects_Hobbies\Projects\PCB Designs\ROSSComms\XBee.SchDoc				

1

2

3

4

A

A

B

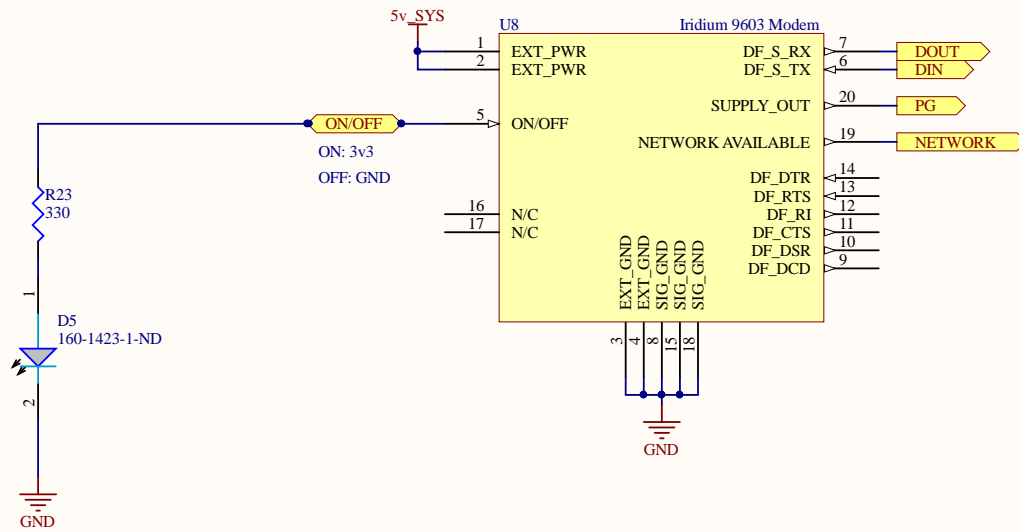
B

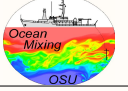
C

C

D

D



Title Iridium.SchDoc			Ocean Mixing Group Oregon State University Corvallis, OR	
Size: A4	Number: 3	Engineer: Nick McComb		
Date: 3/27/2018 Time: 10:23:40 AM Sheet 3 of 7 Revision: 1.1				
File: C:\Users\Nick\Google Drive\Projects_Hobbies\Projects\PCB Designs\ROSSComms\Iridium.SchDoc				

1

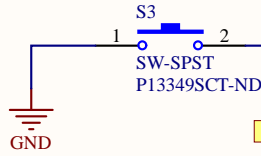
2

3

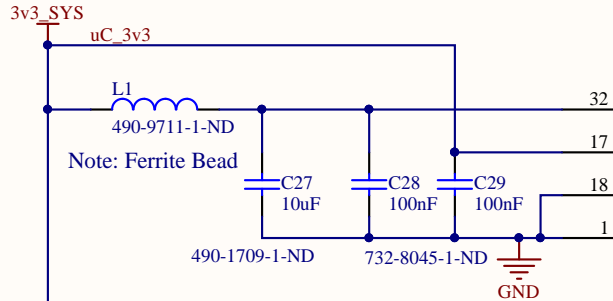
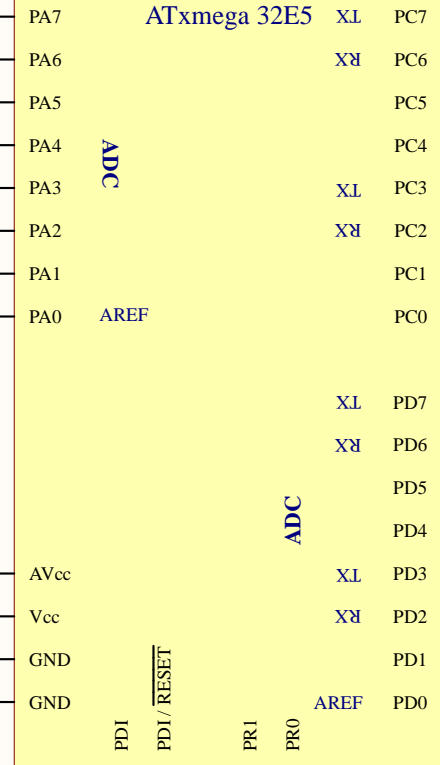
4

MCU

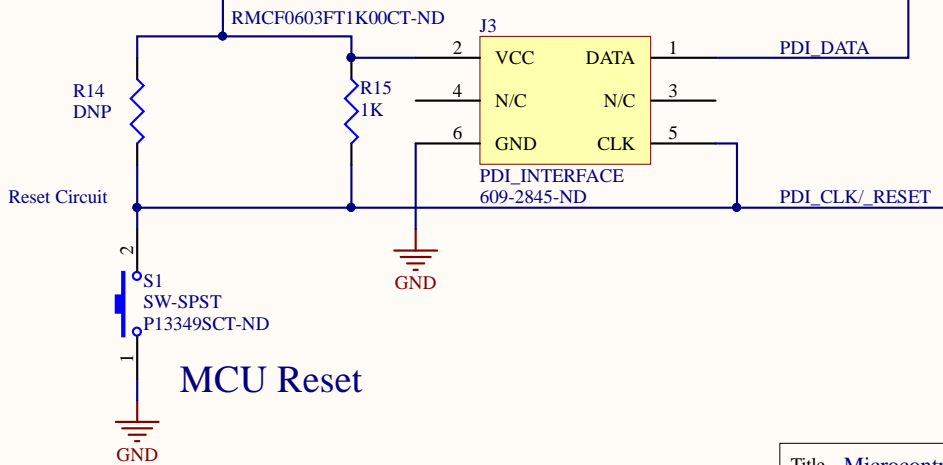
LED Display Button (use internal pullups)



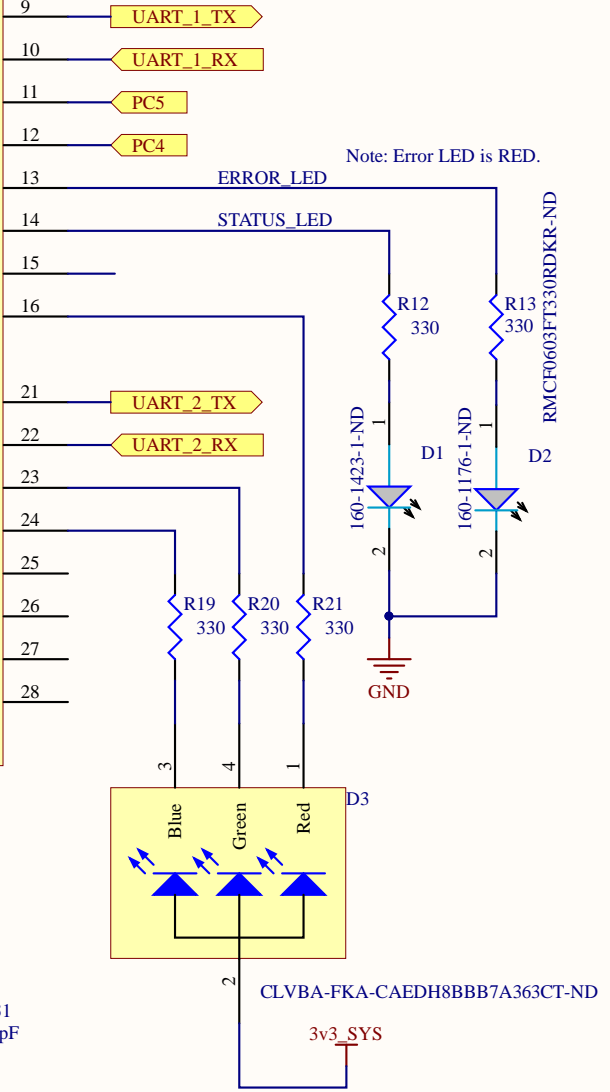
U9 ATXMEGA32E5-AURDKR-ND



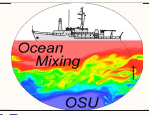
Note: C1, C2, C9, L1 should be close to device per <https://goo.gl/CKcedZ>



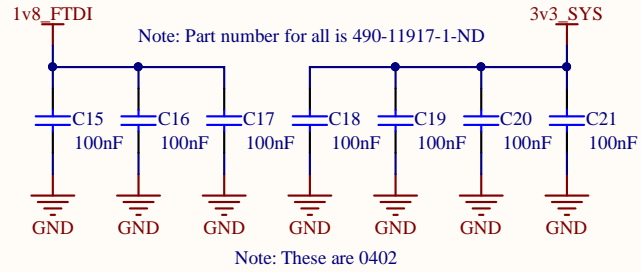
MCU Reset



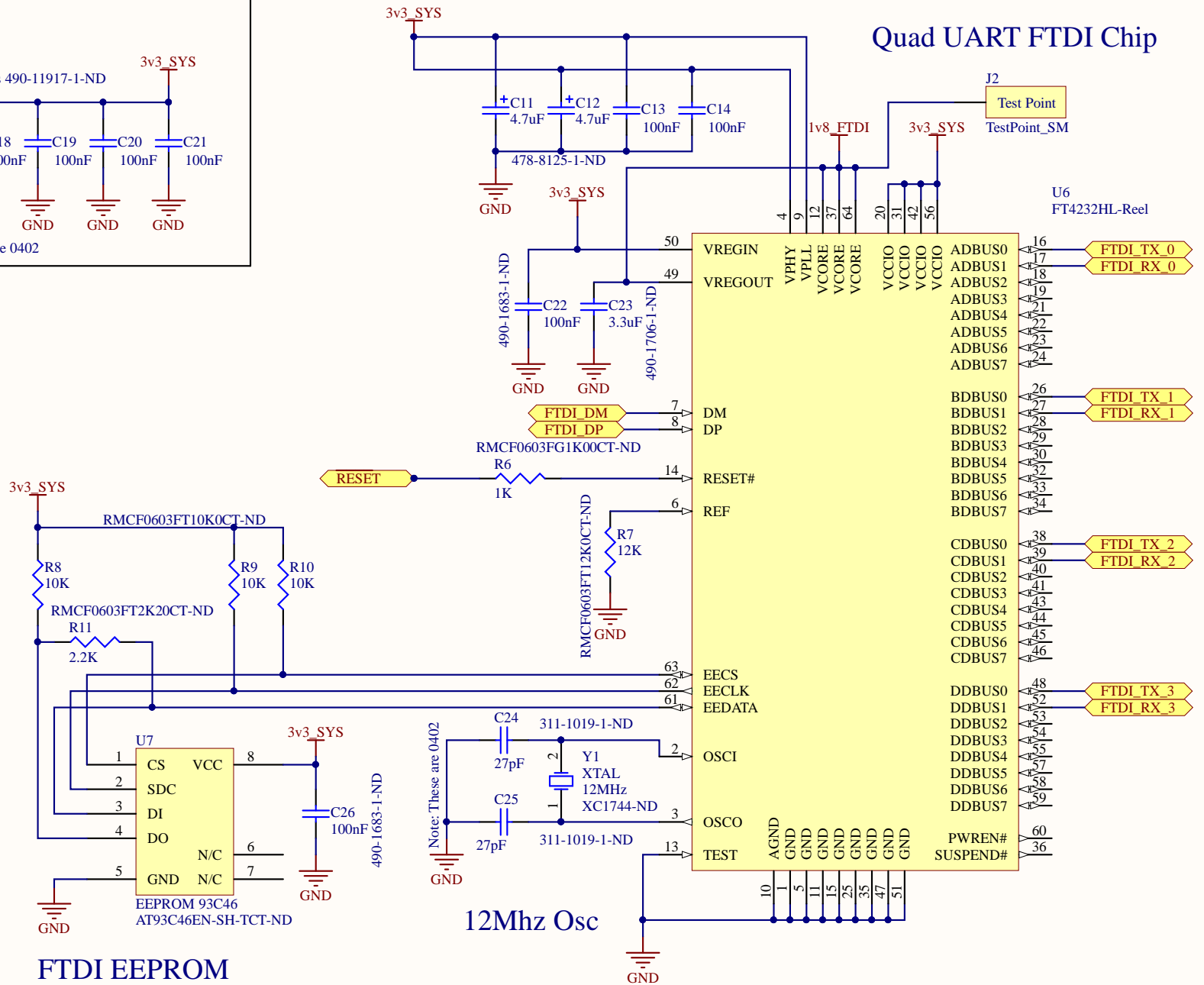
Note: Error LED is RED.

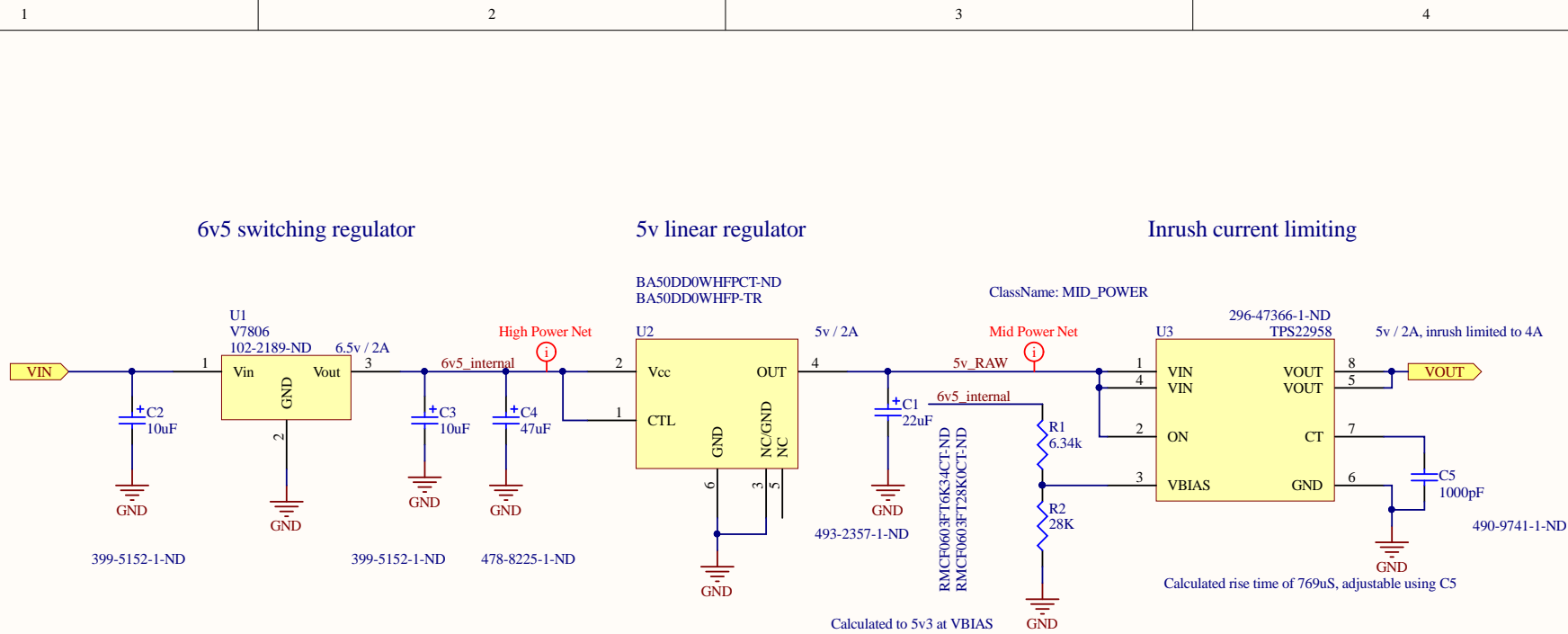
Title Microcontroller.SchDoc				Ocean Mixing Group Oregon State University Corvallis, OR		
Size: A4	Number: 4	Engineer: Nick McComb				
Date: 3/27/2018	Time: 10:23:40 AM	Sheet 4 of 7	Revision: 1.1			
File: C:\Users\Nick\Google Drive\Projects_Hobbies\Projects\PCB Designs\ROSSComms\Microcontroller.SchDoc						

Filtering Caps

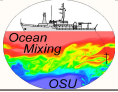


Quad UART FTDI Chip





Rough power supply drawing

Title 5v_power.SchDoc			Ocean Mixing Group Oregon State University Corvallis, OR	
Size: A4	Number: 6	Engineer: Nick McComb		
Date: 3/27/2018	Time: 10:23:41 AM	Sheet 6 of 7	Revision: 1.1	
File: C:\Users\Nick\Google Drive\Projects_Hobbies\Projects\PCB Designs\ROSSComms\5v_power.SchDoc				

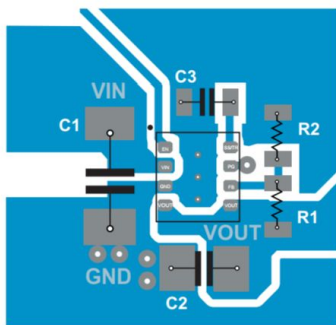
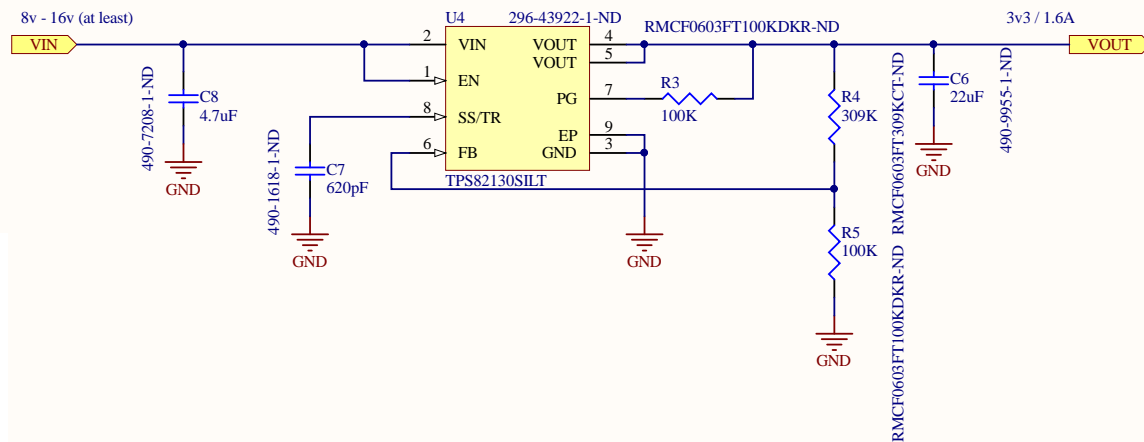
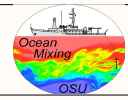


Figure 29. TPS82130 PCB Layout

<https://webench.ti.com/appinfo/webench/scripts/SDP.cgi?ID=F806354EE8FAAA63>

Title 3v3_power.SchDoc			Ocean Mixing Group Oregon State University Corvallis, OR	
Size: A4	Number: 7	Engineer: Nick McComb		
Date: 3/27/2018	Time: 10:23:41 AM	Sheet 7 of 7	Revision: 1.1	
File: C:\Users\Nick\Google Drive\Projects_Hobbies\Projects\PCB Designs\ROSSComms\3v3_power.SchDoc				

R6SS Comms Board

Nick McComb

www.nickmccomb.net/pcb

V1.1

7.00

