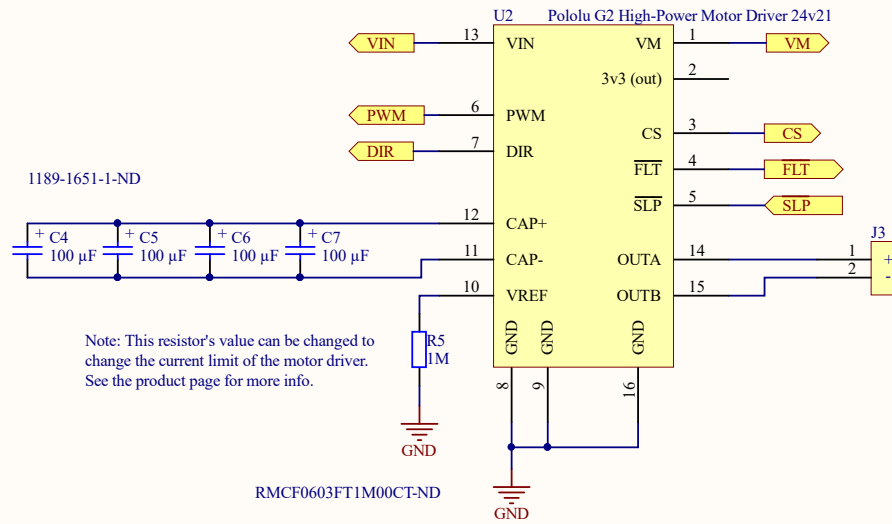


| | | |
|-------------------------------------|-----------------------|--------------|
| Title Single DC Motor Driver | | |
| Size: A4 | Engineer: Nick McComb | Revision: 2 |
| Date: 5/5/2018 | Time: 1:31:08 PM | Sheet 1 of 6 |
| File: Main.SchDoc | | |

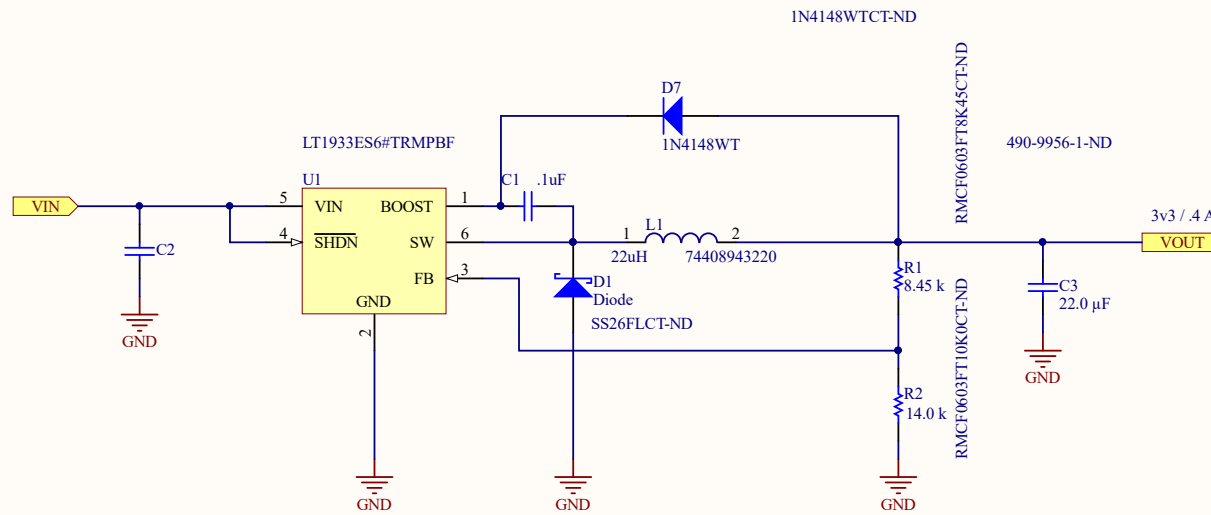
OSU Robotics Club
<https://osurobotics.club>
 Rover Team





<https://www.pololu.com/product/2995>

| | | | | |
|----------------------------------|------------------------------|----------------------------|--|-----------------------------------|
| Title Motor Driver | | | OSU Robotics Club https://osurobotics.club Rover Team | OSURC OSU Robotics Club |
| Size: A4 | Engineer: Nick McComb | Revision: 2 | | |
| Date: 5/5/2018 | Time: 1:31:09 PM | Sheet 2 of 6 | | |
| File: Motor Driver.SchDoc | | | | |



<https://webench.ti.com/appinfo/webench/scripts/SDP.cgi?ID=AE57D7A6E6B294AA>

| | | |
|-------------------------------|-----------------------|--------------|
| Title 3v3 Power Source | | |
| Size: A4 | Engineer: Nick McComb | Revision: 2 |
| Date: 5/5/2018 | Time: 1:31:09 PM | Sheet 3 of 6 |
| File: 3v3_power.SchDoc | | |

OSU Robotics Club
<https://osurobotics.club>
 Rover Team



1

2

3

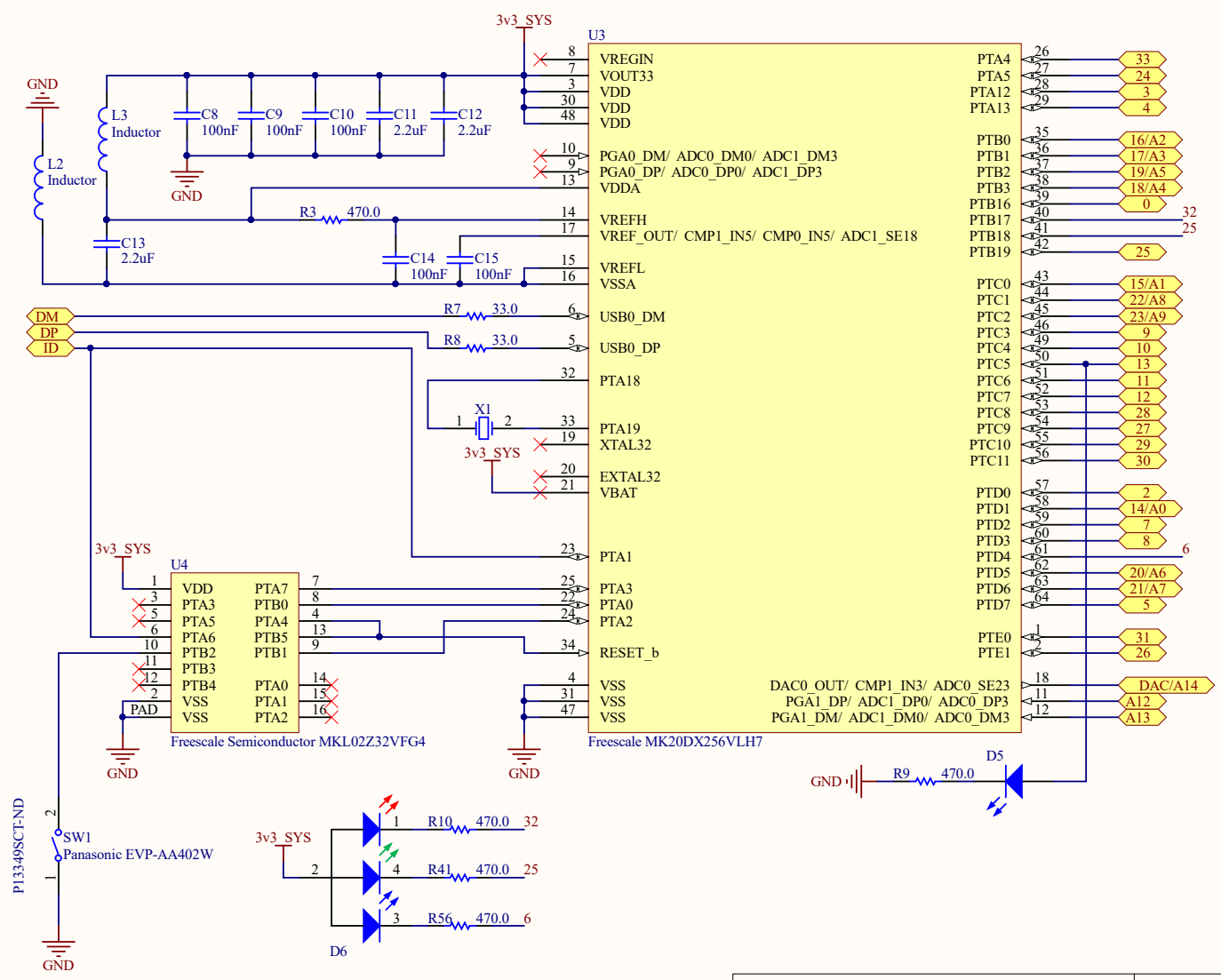
4

1

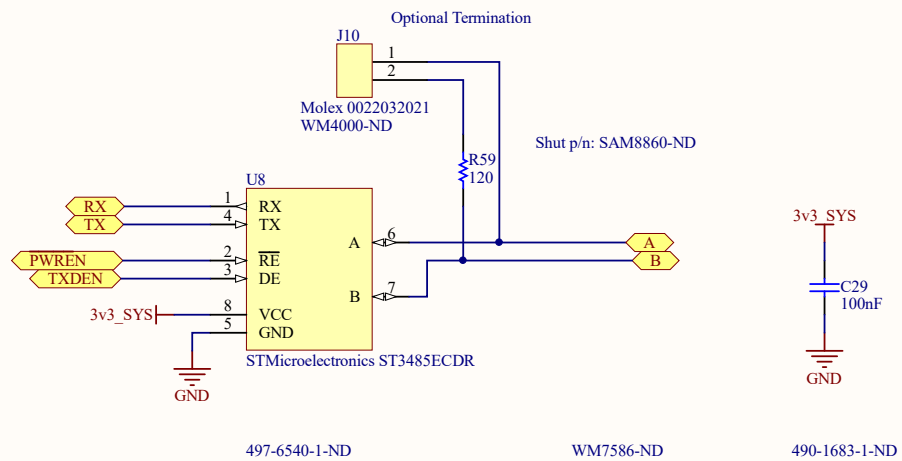
2

3

4



| | | | |
|-----------------------------|------------------------------|----------------------------|---|
| Title Teensy 3.2 MCU | | | OSURC OSU Robotics Club https://osurobotics.club Rover Team |
| Size: A4 | Engineer: Nick McComb | Revision: 2 | |
| Date: 5/5/2018 | Time: 1:31:09 PM | Sheet 4 of 6 | |
| File: meu.SchDoc | | | |



| | | | | |
|--------------------------------|-----------------------|--------------|--|--|
| Title RS485 Transceiver | | | OSU Robotics Club https://osurobotics.club Rover Team | |
| Size: A4 | Engineer: Nick McComb | Revision: 2 | | |
| Date: 5/5/2018 | Time: 1:31:09 PM | Sheet 5 of 6 | | |
| File: rs485_transceiver.SchDoc | | | | |

1

2

3

4

A

A

B

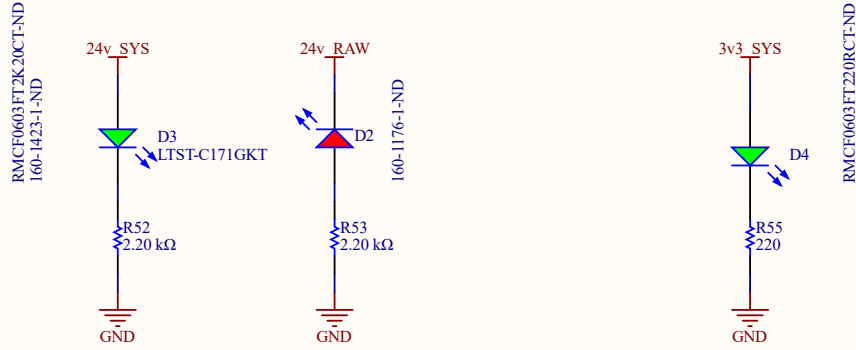
B

C

C

D

D



| | | | | |
|-----------------------------|-----------------------|--------------|--|-----------------------------------|
| Title Indicators | | | OSU Robotics Club https://osurobotics.club Rover Team | OSURC OSU Robotics Club |
| Size: A4 | Engineer: Nick McComb | Revision: 2 | | |
| Date: 5/5/2018 | Time: 1:31:09 PM | Sheet 6 of 6 | | |
| File: LED_Indicators.SchDoc | | | | |

1

2

3

4

