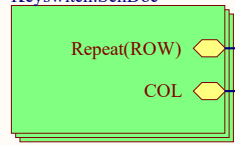
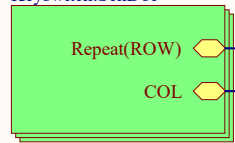


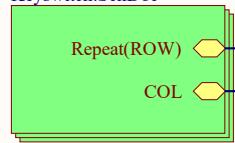
Repeat(switch,1,4)
Keypad.SchDoc



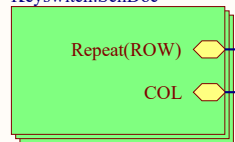
Repeat(switch,1,4)
Keypad.SchDoc



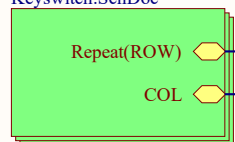
Repeat(switch,1,4)
Keypad.SchDoc



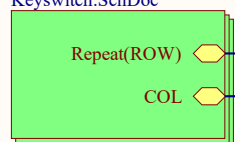
Repeat(switch,1,3)
Keypad.SchDoc



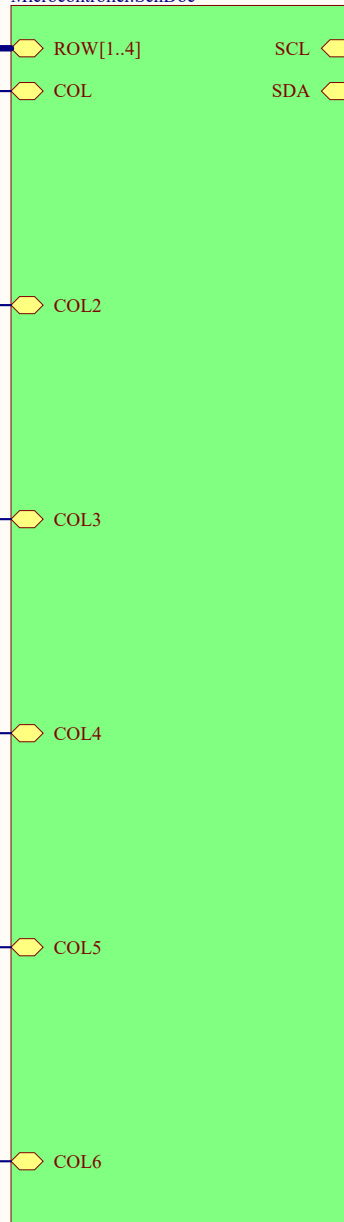
Repeat(switch,1,4)
Keypad.SchDoc



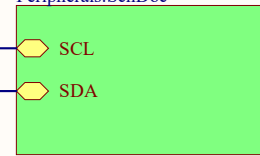
Repeat(switch,1,3)
Keypad.SchDoc



Microcontroller
Microcontroller.SchDoc



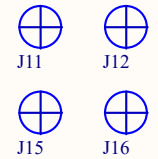
Peripherals
Peripherals.SchDoc



J3
Stabalizer
Cherry MX Stabilizer

J8
Stabalizer
Cherry MX Stabilizer

NOTE: At least for now, COL/ROWS are backwards



Title Custom22		
Size A	Number Custom22	Revision 1.0
Date: 2/27/2021	Sheet 1 of 6	
File: Overview.SchDoc	Drawn By: Nick McComb	

1

2

3

4

A

A

B

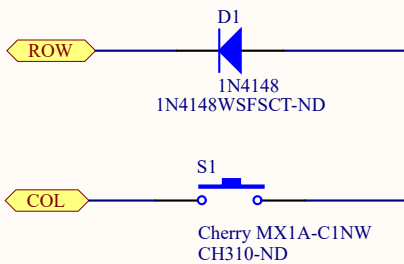
B

C

C

D

D



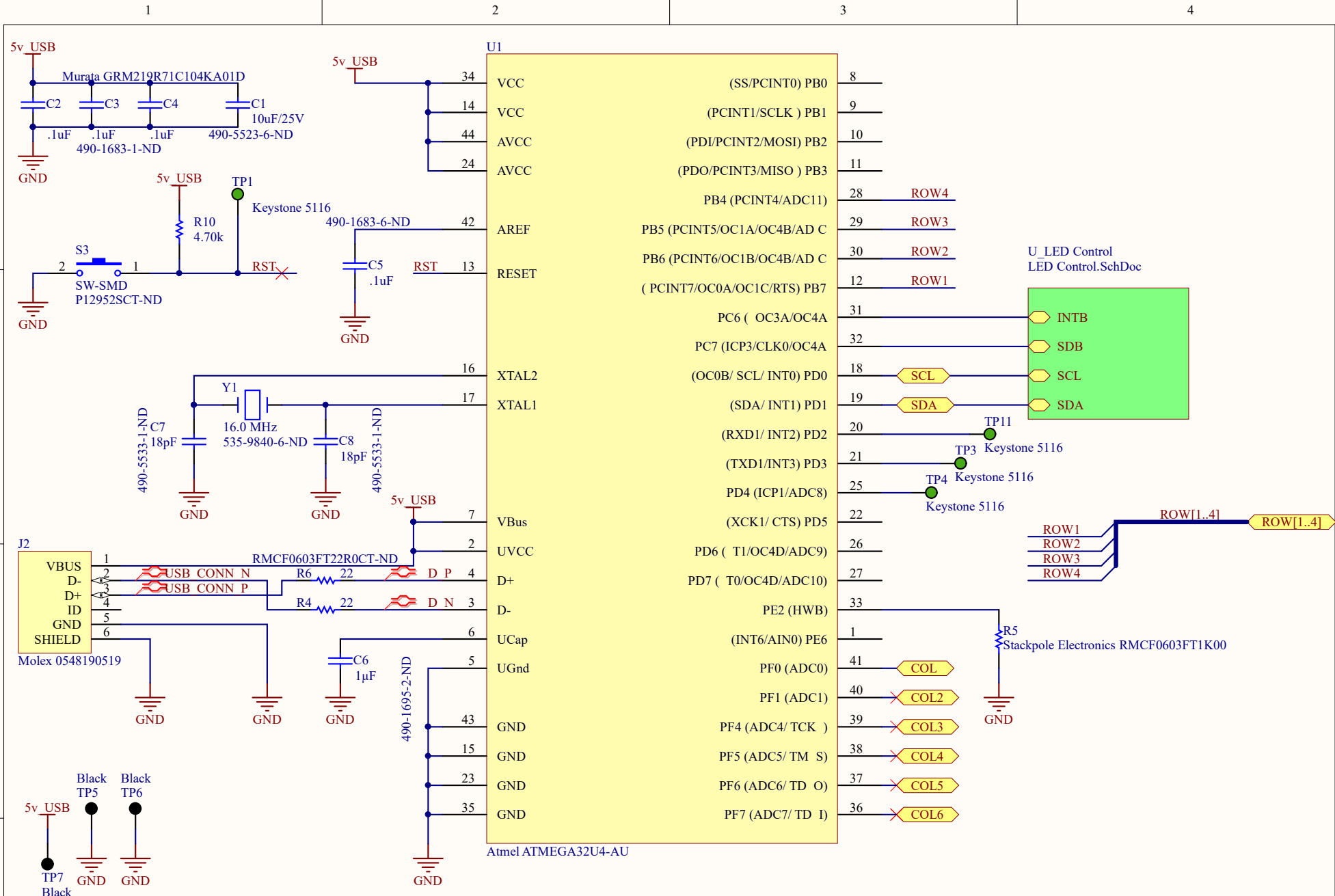
Title		
Keyswitch		
Size	Number	Revision
A	Custom22	1.0
Date:	2/27/2021	Sheet 2 of 6
File:	Keyswitch.SchDoc	Drawn By: Nick McComb

1

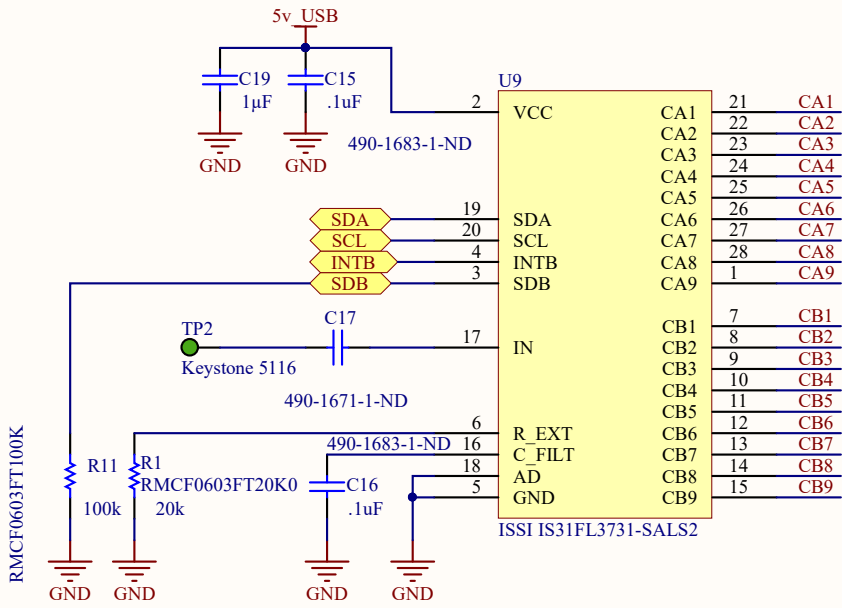
2

3

4



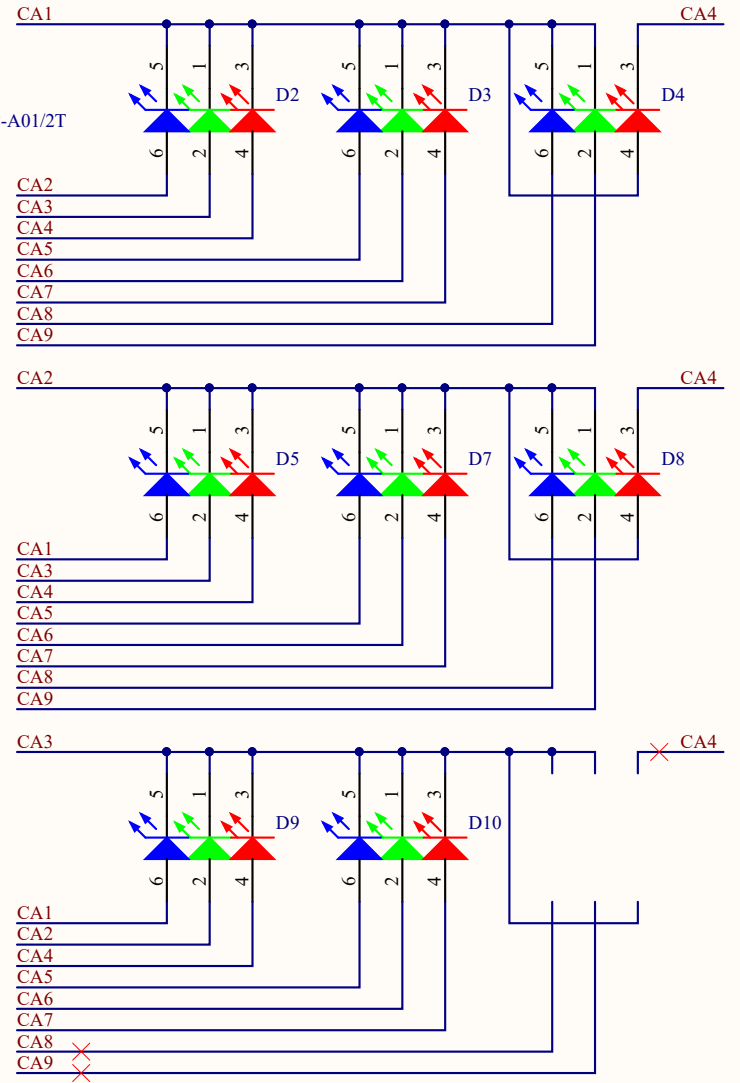
Title Microcontroller		
Size A	Number Custom22	Revision 1.0
Date: 2/27/2021	Sheet 3 of 6	
File: Microcontroller.SchDoc	Drawn By: Nick McComb	



LED Controller 0xE8

R1 = 20k, which sets a 3.2mA average current per LED

LED PN: 19-337C/RSBHGHCA01/2T



Title

LED Control

Size

A

Number

Custom22

Revision

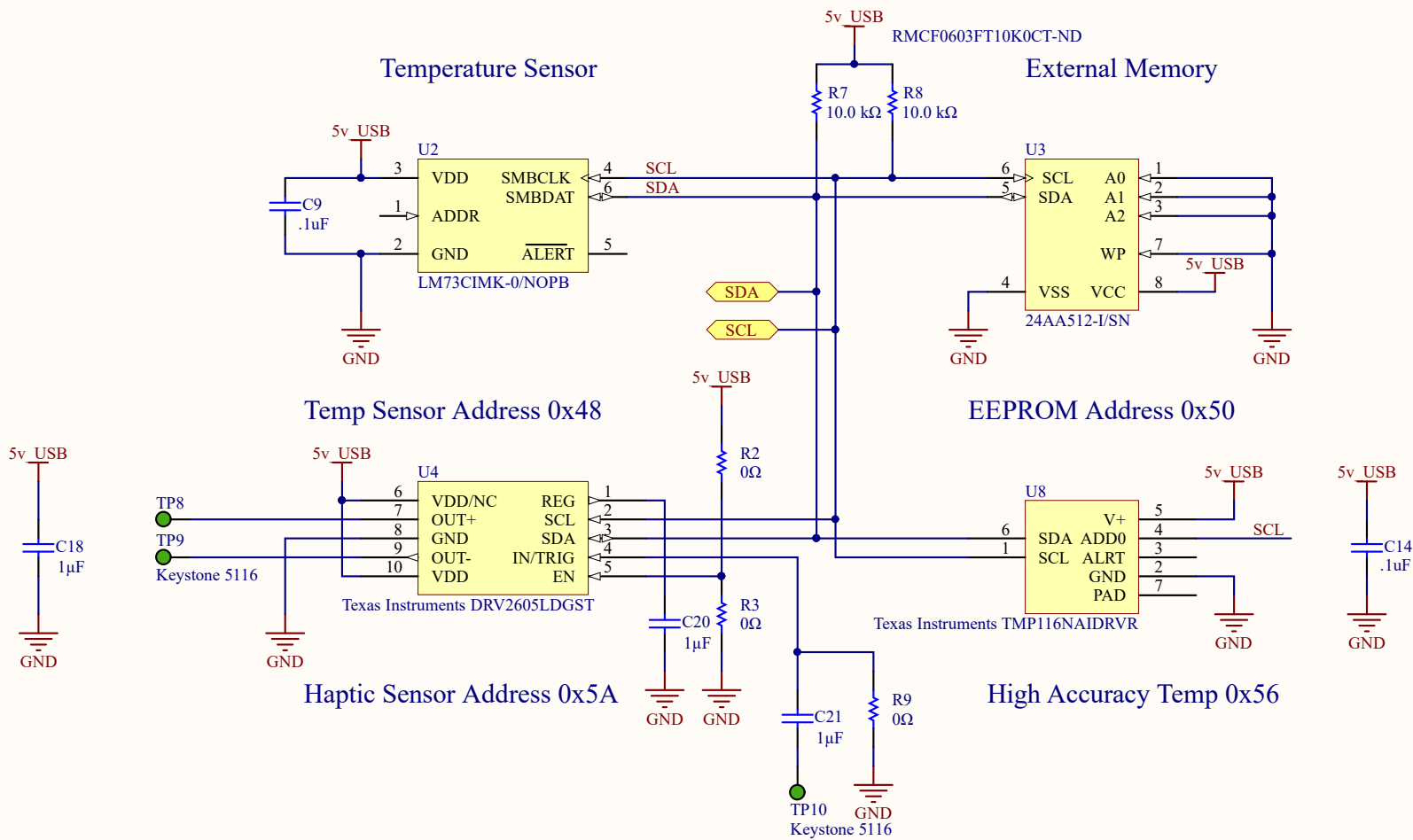
1.0

Date: 2/27/2021

File: LED Control.SchDoc

Sheet 4 of 6

Drawn By: Nick McComb



Title Peripherals		
Size A	Number Custom22	Revision 1.0
Date: 2/27/2021	Sheet 6 of 6	
File: Peripherals.SchDoc	Drawn By: Nick McComb	